

Xpelair® GX Window Fan Range



GX9 with sickle blade

Ref. 90195AW

GX12 with sickle blade

Ref. 90189AW

- High performance intake/extract axial ventilation unit
- Optional FR22/30 fan controller
- Suitable for single and sealed double glazing windows and panels up to 1 inch
- Balanced external rotor motor and sickle blade impeller for quiet efficiency
- Sealed for life maintenance free bearings, suitable for running at any angle
- Built-in silent action electro-thermal shutter cassette
- Passive tricklevent facility for background ventilation with fan Off
- Easy clean high gloss ABS housing with integral finger safety guard
- Grey external grille for unobtrusive external appearance
- Tamperproof internal connection safety plug and socket
- Unique metal ladderstrip / screw connection to external grille for security and weather tight seal
- Totally-enclosed IPX4 rated motor



Type: **Commercial duty/ suitable for residential use**

Application: **Pubs, restaurants, offices, kitchens, sunrooms, schools and pool enclosures**

GX6 with axial blade

Ref. 90801AW

- 6" diameter impeller high performance extract axial ventilation unit
- Operated by remote On/Off switch (not supplied)
- Suitable for single and sealed double glazing windows and panels up to 1 inch
- Sealed for life, maintenance free bearings, suitable for running at any angle. Integrated safety thermal overload protection
- Built-in silent action electro-thermal shutter cassette
- Passive tricklevent facility for background ventilation with fan Off
- Easy clean high gloss ABS housing with integral finger safety guard
- Grey external grille for unobtrusive external appearance
- Unique metal ladderstrip / screw connection to external grille for security and weather tight seal
- IPX4 rated

GXC6

Ref. 90851AW

- Single speed extract fan
- Integral pullcord switches fan On and opens shutter



Single Fan Controller FR22/30

Ref. 21868AW

- For use with GX9 and GX12
- On/Off control with neon indicator. Used to select between high and low speed, intake and extract



For further information about CSA STANDARDS please visit: <http://www.csa.ca/cm/ca/en/about-csa>

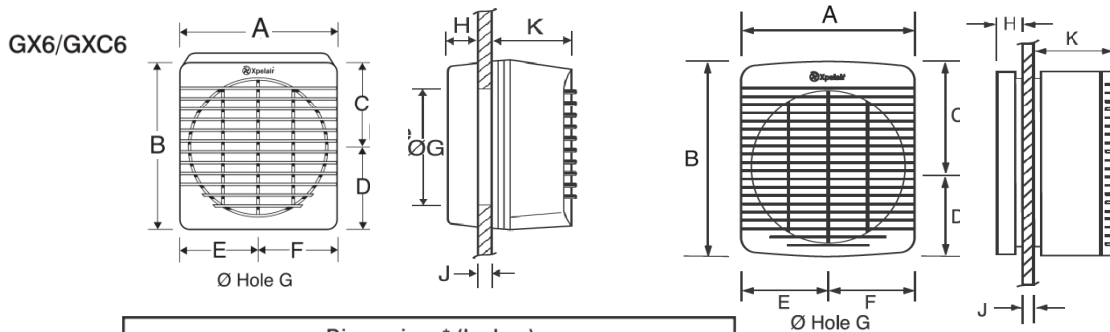
October 2010

www.xpelairusa.com

Xpelair® GX Window Fan Range

Model	GX6	GXC6	GX9	GX12
Reference Number	90801AW	90851AW	90195AW	90189AW
Exhaust Flow Rate @120V 60Hz (FID)				
High speed CFM	163	163	478	895
Low speed CFM	-	-	352	544
Exhaust Sound Level High Sones*				
Low Sones*	-	-	1.3	2.0
Nominal Speeds High RPM				
Low RPM	1,533	1,533	1,462	1,191
Maximum Electrical Power (Watts)	24	24	44.8	101
Hole Diameter Wall (inches)	8	8	10 ^{1/2}	13
Hole Diameter Window (inches)	7 ^{1/4}	7 ^{1/4}	10 ^{1/4}	12 ^{3/4}
Product Weight (lbs)	4	4	9	17

*Sound levels were converted from dBA measured in a semi anechoic chamber using a microphone at 1m and 45 degrees from the centre of the front of the unit, in the Xpelair sound laboratory.

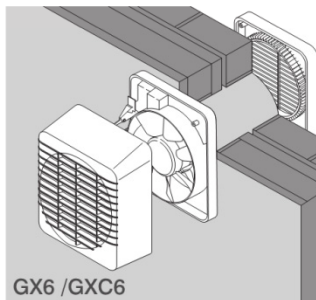


Model	Dimensions* (Inches)										
	A	B	C	D	E	F	G GLASS	G WALL	H	J MAX.	K
GX/C6	8 ^{1/4}	9	4 ^{1/2}	4 ^{1/4}	4 ^{1/4}	4	7 ^{1/4}	8	1 ^{1/4}	1 ^{1/4}	4 ^{1/2}
GX9	11 ^{1/2}	12 ^{1/4}	6 ^{1/2}	5 ^{3/4}	5 ^{3/4}	5 ^{3/4}	10 ^{1/4}	10 ^{1/2}	1 ^{1/4}	1 ^{1/4}	4 ^{1/2}
GX12	15	16	8 ^{1/2}	7 ^{1/2}	7 ^{1/2}	7 ^{1/2}	12 ^{3/4}	13	1 ^{1/4}	1 ^{1/4}	6 ^{1/4}

*+/- 1/8" tolerance

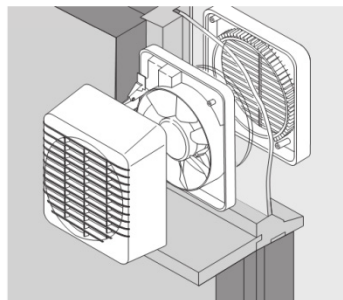
GX9, GX12

The GX6, GX9 & GX12 ranges come complete with a universal mounting kit for window installations.



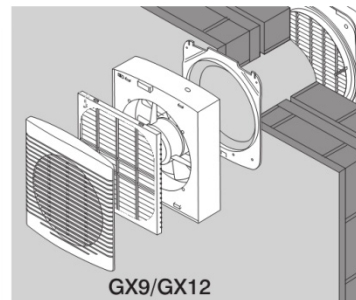
Alternate Surface Mount on Wall

Hole size: 8" dia. (GX6/GXC6)



Window Mounting

Hole size: 7^{1/4}" dia. (GX6)
10^{1/4}" dia. (GX9)
12^{3/4}" dia. (GX12)



Alternate Surface Mount on Wall

Hole size: 10^{1/2}" dia. (GX9)
13" dia. (GX12)