

PEERLESS
ELECTRIC®

RADIAL BLADE BLOWERS

DIRECT DRIVE

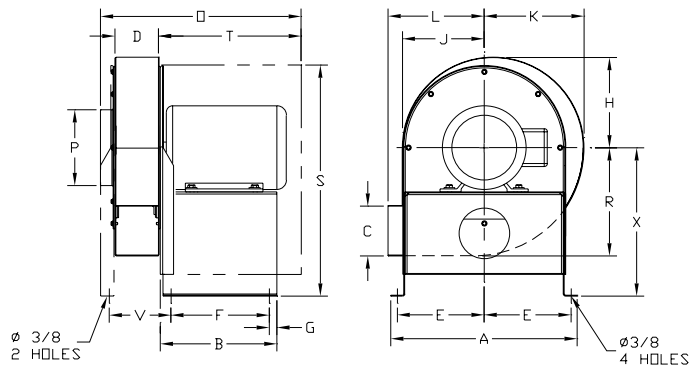


PEERLESS-WINSMITH, INC.
**VENTILATION
EQUIPMENT**

PEERLESS ELECTRIC

MADISON MANUFACTURING COMPANY

AFFILIATE OF PEERLESS-WINSMITH, INC.



Certified Dimension prints furnished upon request

PRESSURE BLOWERS

Direct Drive

Application:

Pressure blowers are generally used on industrial applications for small exhaust systems where air is laden with dust or grit and also for supplying high pressure air for conveying and cooling.

Features:

Wheels – Constructed with straight radial blades of heavy cast aluminum for self cleaning feature, dynamically balanced and designed for efficient operation.

Housings – Arc-welded 16 gauge steel housings and motor bases for rigidity and long life.

Motors – Standard units are furnished with open ball bearing, rigid mounted motors of either single phase capacitor-induction type or three phase induction type. Motors can also be furnished totally enclosed or explosion proof or with special current characteristics for special applications.

Rotation and Discharge – Furnished for clockwise rotation, bottom horizontal discharge unless otherwise specified. At time of installation housings or wheels may be turned for other discharges and rotation if so desired.

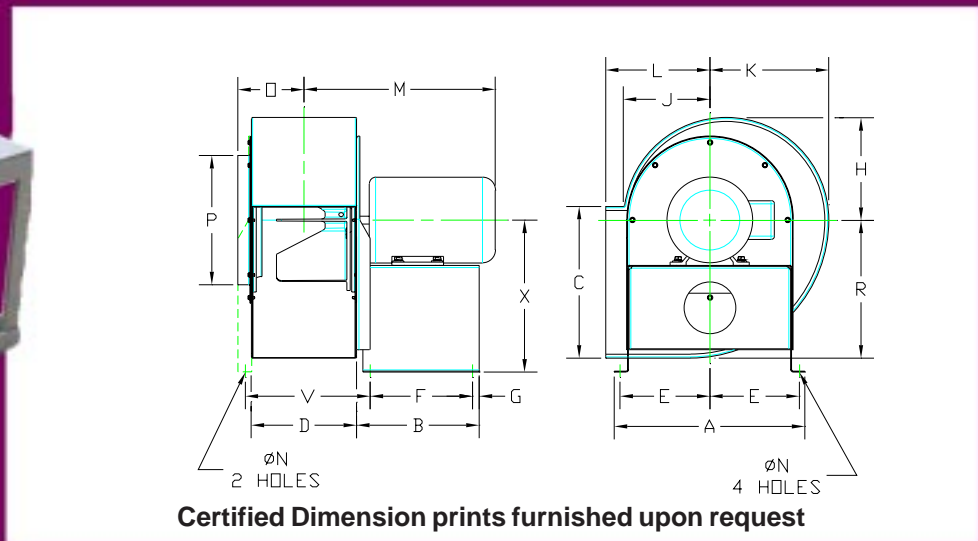
Capacities – Tested in accordance with AMCA Standards 210.

Blower Performance

MODEL NO.	MOTOR H.P.	BLOWER RPM	PERFORMANCE - C.F.M.																	
			1/4" S.P.	1/2" S.P.	1" S.P.	1-1/2" S.P.	2" S.P.	2-1/2" S.P.	3" S.P.	3-1/2" S.P.	4" S.P.	5" S.P.	6" S.P.	7" S.P.	8" S.P.	9" S.P.	10" S.P.	11" S.P.	12" S.P.	
PW-8	1/4	3500	-	-	-	237	216	192	165	129	70	-	-	-	-	-	-	-	-	-
PW-8	1/3	3500	283	274	256	237	216	192	165	129	70	-	-	-	-	-	-	-	-	-
PW-9	1/2	3500	-	-	-	-	-	374	346	316	282	195	-	-	-	-	-	-	-	-
PW-9	3/4	3500	475	465	445	423	399	374	346	316	282	195	-	-	-	-	-	-	-	-
PW-11	1	3500	-	-	-	-	-	-	-	-	-	508	431	329	-	-	-	-	-	-
PW-11	1-1/2	3500	786	772	746	719	692	664	635	606	575	508	431	329	-	-	-	-	-	-
PW-12	3	3500	1185	1171	1145	1117	1090	1062	1033	1004	974	911	842	765	672	549	-	-	-	-
PW-14	5	3500	-	-	-	-	-	-	-	-	-	1685	1587	1482	1367	1236	1081	874	474	-
PW-14	7-1/2	3500	2100	2079	2037	1995	1952	1909	1866	1822	1777	1685	1587	1482	1367	1236	1081	874	474	-

Blower Dimensions

BLOWER	WHEEL	BORE	A	B	C	D	E	F	G	H	J	K	L	O	P	R	X	S	T	V
PW- 8	7-3/4 X 2-1/4	1/2	11	8	3	3	5	7	1/2	5-3/8	4-7/8	5-7/8	5-7/8	16	4	6-5/8	8-1/2	13-1/8	12	...
PW- 9	9 X 2-3/4	1/2	12-1/8	8	3-1/2	3-1/2	5-5/8	7	1/2	6-3/8	5-3/4	6-7/8	6-3/4	20-3/4	5	7-1/2	9-3/8	14-5/8	16	...
PW- 11	10-5/8 X 3	5/8	14-3/4	9	4	3-1/2	6-7/8	7-1/2	3/4	7-1/4	6-1/2	8	7-5/8	20-3/4	6	8-5/8	11-3/4	18-1/4	16	...
PW- 12	12-1/2 X 3	7/8	17	8	5	4	8	6-1/2	3/4	8-1/4	7-1/2	9	9-5/8	20-1/8	7	10	10-5/8	18-3/8	15	...
PW- 14	13-1/2 X 4-3/8	1-1/8	17-5/8	11-1/4	7-1/8	5-3/4	8	9-9/16	1	10-1/2	9-5/8	11-3/8	11	22	8	11-1/2	12-5/8	21-1/2	15	7-1/4



RADIAL BLADE BLOWERS DIRECT DRIVE

APPLICATION:

Used on small kitchen hoods where grease filters may or may not be installed; also used where air contains dirt, lint or foreign material as wheel is self-cleaning type.

FEATURES:

General Construction – Housings and bases are 16-gauge steel with welded joints. Wheels are cast aluminum, dynamically balanced and are self cleaning to eliminate unbalance or reduced airflow. Blowers are finished with baked enamel.

Custom Features – Weather proof drive covers to cover the motor are available if unit is mounted outside. Also such extras as vibration pads, discharge dampers, acid resisting paint and other special features are available for special requirements.

Rotation and Discharge – Standard units are built for clockwise rotation and bottom horizontal discharge. However, any rotation or discharge will be furnished when so specified. Housings and wheels may be changed if desired at time of installation to any rotation or any one of eight different discharge directions.

Motors – Standard units are furnished with open, all-angle sleeve bearing, resilient mounted motors. Motors for KE-9 are for 115 volt, 60 cycle, single phase split phase type. Motors for KE-11, KE-12 and KE-14 are 115/230 volt, 60 cycle, single phase capacitor type. All units can be furnished with 1750/1150 RPM two speed motors, or special motors that are totally enclosed, explosion proof, or for three phase current.

Capacities – Tested in accordance with AMCA Standards 210.

Blower Performance

MODEL NO.	MOTOR H.P.	BLOWER RPM	F.A.	PERFORMANCE - CFM AT 1750											
				1/8" S.P.	1/4" S.P.	3/8" S.P.	1/2" S.P.	5/8" S.P.	3/4" S.P.	1" S.P.	1-1/4" S.P.	1-1/2" S.P.	1-3/4" S.P.	2" S.P.	2-1/4" S.P.
KE - 8	1/6	1750	550	510	470	425	365	275	150	-	-	-	-	-	-
KE - 9	1/4	1750	880	825	765	705	635	565	480	200	-	-	-	-	-
KE - 11	1/2	1750	1430	1380	1335	1275	1165	1100	945	730	430	-	-	-	-
KE - 12	1	1750	2375	2300	2220	2140	2060	1975	1890	1700	1485	1185	750	350	-
KE - 14	2	1750	3420	3325	3230	3125	3025	2925	2820	2595	2350	2045	1620	1010	640

Blower Dimensions

MODEL NO.	WHEEL	BORE	A	B	C	D	E	F	G	H	J	K	L	M*	N	O	P	R	V	X
KE-8	7-3/4 X 4	1/2	11	8	8-1/4	5-3/8	5	7	1/2	6	4-5/8	6-3/4	6-7/8	10-3/4	3/8	3-3/4	8	8	-	8-1/2
KE-9	9 X 5	1/2	12-1/8	8	10-3/4	6-1/2	5-5/8	7	1/2	6-3/4	5-5/8	7-3/4	7-1/8	11-3/4	3/8	4-5/16	9	9-1/4	-	9-3/8
KE-11	10-7/8 X 5-5/8	5/8	14-3/4	9	11-3/4	8	6-7/8	7-1/2	3/4	8	6-3/4	9-1/8	8-1/8	13-1/4	3/8	5-1/16	10	10-3/4	-	11-3/4
KE-12	12-1/2 X 7-1/2	7/8	16-3/8	10-1/2	13-1/4	9-5/8	7-3/8	8-3/4	7/8	10-1/8	8-1/2	11-1/2	10-1/2	15-3/16	9/16	6-3/8	13-1/4	13-1/4	11-1/8	17
KE-14	13-1/2 X 8-1/8	7/8	17-5/8	10-1/2	14-5/8	10-3/4	8	8-3/4	7/8	11-1/8	9-3/8	12-5/8	11-3/8	16-3/4	9/16	7	14-1/2	14-5/8	12-1/4	17

* M varies with motor frame size.



**DIRECT DRIVE
BLOWERS**



**PRESSURE
BLOWERS**



**INDUSTRIAL
FANS**



**DIRECT DRIVE
EXHAUST FANS**



**IN-LINE
CENTRIFUGALS**



**CAST IRON
HOUSED BLOWERS**



**BACKWARD INCLINED
BELT DRIVE BLOWERS**



**BELT DRIVE
PROPELLOR FANS**



POWERFOIL BLOWERS



PLUG-PAK FANS



**FORWARD CURVE
BELT DRIVE BLOWERS**

ISO 9001
REGISTRATION
1385



PEERLESS ELECTRIC

MADISON MANUFACTURING COMPANY

AFFILIATE OF PEERLESS-WINDMATH, INC.



One Madison Avenue, P.O. Box 187, Hot Springs, NC 28743-0187 • 828/622-7500 • Fax: 828/622-3309 • 1-800/613-4766

RBD-1
MM 17169-2'99-1M
Printed in U.S.A.