



ULTRAFAN-PAK-2002



FORWARD CURVE BELT DRIVE



PEERLESS ELECTRIC

MADISON MANUFACTURING COMPANY

AFFILIATE OF PEERLESS-WINSMITH, INC.

PEERLESS ELECTRIC FORWARD CURVE BELT DRIVE ULTRAFAN-PAK-2002 BLOWERS

The Peerless Electric "Ultrafan-Pak-2002" forward curve belt drive blower is a high quality, low cost, heavily constructed and completely self contained unit. The low speed characteristic of the forward curve wheel design makes for an extremely quiet and efficient operating unit. These blowers are designed for use in high volume low and medium pressure, clean air, ventilating and exhaust applications. Wheel sizes range from 8" through 24". The horsepower curve is always maximum at free air delivery and the maximum efficiency is near the peak static pressure.

This self contained unit is designed for ease of access to the motor, drives and bearings. As a result, installation and maintenance costs are minimal for the user.

All units are equipped with a convertible discharge which can be rotated easily to any of the eight 45° positions. Units are available in all AMCA construction classes.

CERTIFIED PERFORMANCE RATINGS

Peerless Electric/ Madison Manufacturing Company certifies that the "ULTRAFAN-PAK-2002" Forward Curve Belt Drive blowers shown herein are licensed to bear the AMCA Seal. The ratings shown are based on tests and procedures in accordance with AMCA Publication 211 and comply with the requirements of the AMCA Certified Ratings Program.



CONSTRUCTION FEATURES

WHEELS

Die-formed identical blades machine riveted to die-punched back plate and rim. Dynamically and statically balanced.

MOTOR BASE

Heavy construction assures sturdy base for motor mounting. Pivoted at one end features easy adjustment for belt tension.

BEARINGS

Self-aligning ball bearing pillow blocks. These bearings are designed to operate under the most severe atmospheric conditions.

INLET

Circular angle ring. Rigid streamlined inlet



SHAFT

Ground and polished solid steel key-ways on each end.

MOTOR

Commercial standard Fan and Blower duty motors are job-matched to each requirement. All types of current characteristics, enclosures and bearing construction are available.

FRAME

All welded steel construction. Easy access to motor for servicing.

ADJUSTABLE V-BELT DRIVE

High quality CAST Iron adjustable pitch motor sheaves are standard equipment. V-Belts with ample service factor are also employed. When performance data is specified, BLOWERS are factory set to exact blower speed to meet job requirements. Constant speed drives are also available

HOUSING

All are convertible and may be rotated easily to any of eight 45° positions.

SPECIFICATION GUIDE

Furnish and install where shown on plans, a Peerless Electric forward curve belt drive utility blower. Blower shall be completely assembled and tested as a unit with electric motor, adjustable motor base, adjustable V-belt drive beyond bearings, and drive cover if

unit is mounted outside. Blower wheels shall be forward curved with constantly rising horsepower characteristics.

Housing shall be heavy gauge steel and spot or arc welded together for air-tight construction. Housings on all sizes shall be convertible to any one of eight positions in 45-degree

increments. Inlet shall be unobstructed with venturi design. Blower sizes and capacities shall be as follows:

Size, wheel diameter, motor HP, CFM, O.V., S.P., B.H.P., volts, cycles and phase. Plus any additional features.

ULTRAFAN-PAK ACCESSORIES



Drive Cover



Belt Guard



Shutter

1. Weather Cover

Covers entire drive side frame and motor. Eliminates need for penthouse or other protection outdoors. Fastens securely with four screws.

2. Belt Guard

Covers the drivers and entire frame end. Constructed of heavy gauge expanded metal mesh with welded steel frame. Securely fastened with four screws to blower frame.

3. Automatic Discharge Shutter

Self-contained in adapter sleeve and securely attached to fan discharge. All materials resistant to weather corrosion. Constructed to prevent back-drafts and entrance of rain and snow. Discharge screens are not available with shutters.

Clean-Out Doors

4.

Bolted Door – Removable door for ease of cleaning and inspection. Bolted to housing with hex head bolts and gasketed for tight seal. Quick-Opening Door – Held in place with pressure latches, hinged at the bottom and gasketed. Raised access doors are also available with a standard height of 1" above mounting surface.

5. Vibration Rail Bases

Shock mounting rubber-in-shear rails or pads and spring rails or pads are available as stock items.

6. Other Accessories

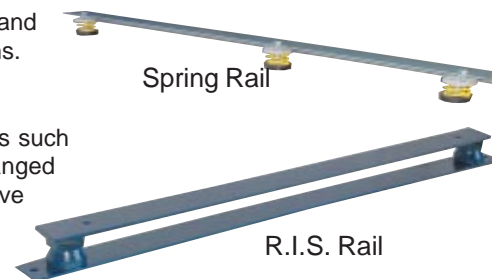
All size blowers are available with extra features such as: drain fittings, inlet or discharge screens, flanged inlets or outlets, and heat slingers. For protective coatings see Catalog 35-300.



BOLTED DOOR



QUICK-OPENING DOOR



Spring Rail

R.I.S. Rail

STANDARDS ADOPTED FOR SPARK-RESISTANT FANS AMCA STANDARD 99-0401-86

Spark Resistant-Type A: AMCA

Standards require that all parts of the fan in contact with the air or gas being handled shall be made of non-ferrous material.

Spark Resistant-Type B: AMCA

Standards require the fan to have the wheel and ring about the opening through which the shaft passes of non-ferrous material. Ferrous hubs, shafts and hardware are permitted. Fans for this condition are furnished with a non-ferrous wheel (except hub and hardware) and a non-ferrous rubbing plate or non-ferrous shaft seal around the shaft opening.

Spark Resistant-Type C: AMCA

Standards require the fan to be so constructed that a shift of the wheel or shaft will not permit two ferrous parts of the fan to rub or strike. Fans for this condition will be furnished with a non-ferrous inlet cone and rubbing plate around the shaft opening.

Note: For all type spark resistant fans, the user shall electrically ground all fan parts. Either A or B construction conforms to requirements of National Board of Fire Underwriters Pamphlet No. 91 for Fans handling flammable vapors. Bearings shall not be placed in the air or gas stream. A non-ferrous material with less than 5% iron or any other material with demonstrated ability to be spark resistant.

The use of these constructions in no way implies a guarantee of safety for any level of spark resistance. Spark resistant construction does not protect against ignition of explosive gases caused by catastrophic failure or from any air-stream material that may be present in a system.

PEERLESS ELECTRIC FORWARD CURVE BELT DRIVE ULTRAFAN-PAK-2002 BLOWERS

SIZE FCB-8

WHEEL DIAMETER - 7 3/4"

TIP SPEED = 1.996 x RPM

MAX. SPEED = 3006 RPM

OUTLET { 8 1/4" x 5 3/8" Outside
0.296 Sq. Ft. Inside

INLET { 8" Dia. Outside
0.338 Sq. Ft. Inside

VOL	VEL	0.25 SP		0.375 SP		0.5 SP		.625 SP	
CFM	FPM	RPM	BHP	RPM	BHP	RPM	BHP	RPM	BHP
237	800	758	0.02	909	0.03	-	-	-	-
266	900	775	0.03	917	0.04	1049	0.05	-	-
296	1000	798	0.03	931	0.04	1055	0.06	1172	0.07
326	1100	825	0.04	949	0.05	1067	0.06	1178	0.08
355	1200	854	0.04	971	0.06	1083	0.07	1189	0.08
385	1300	886	0.05	997	0.06	1102	0.08	1203	0.09
414	1400	918	0.06	1024	0.07	1125	0.09	1221	0.1
444	1500	955	0.07	1055	0.08	1150	0.1	1243	0.11
474	1600	991	0.08	1088	0.09	1179	0.11	1267	0.13
503	1700	1027	0.09	1121	0.11	1208	0.12	1293	0.14
533	1800	1065	0.1	1156	0.12	1240	0.14	1321	0.16
562	1900	1104	0.12	1191	0.14	1272	0.15	1350	0.17
592	2000	1144	0.13	1228	0.15	1307	0.17	1382	0.19
651	2200	1223	0.17	1303	0.19	1377	0.21	1448	0.23
710	2400	1304	0.21	1380	0.23	1451	0.25	1518	0.28
770	2600	1388	0.26	1461	0.28	1528	0.31	1592	0.33
829	2800	1471	0.32	1541	0.34	1606	0.37	1667	0.39
888	3000	1556	0.38	1623	0.41	1684	0.44	1743	0.46
947	3200	1640	0.45	1705	0.48	1765	0.51	1822	0.54
1006	3400	1726	0.53	1789	0.57	1846	0.6	1901	0.63
1066	3600	1813	0.62	1874	0.66	1930	0.69	1983	0.73
1125	3800	1900	0.72	1958	0.76	2013	0.8	2064	0.84
1184	4000	1986	0.83	2043	0.88	2097	0.92	2147	0.95
1243	4200	2073	0.96	2129	1	2181	1.04	2229	1.08
1302	4400	2162	1.09	2215	1.14	2265	1.18	2312	1.22
1362	4600	2251	1.24	2303	1.29	2351	1.33	2399	1.38
1421	4800	2339	1.4	2389	1.45	2437	1.5	2483	1.55
1480	5000	2428	1.57	2477	1.62	2523	1.67	2568	1.73
1539	5200	2516	1.76	2565	1.81	2610	1.87	2653	1.92
1598	5400	2605	1.96	2652	2.02	2696	2.07	2738	2.13
1658	5600	2695	2.18	2742	2.24	2784	2.3	2826	2.35
1717	5800	2783	2.4	2830	2.47	2872	2.53	2912	2.59
1776	6000	2874	2.65	2918	2.72	2959	2.79	2999	2.85
1835	6200	2963	2.92	3006	2.99	-	-	-	-

Performance shown is for installation type B --- free inlet, ducted outlet.

Power rating (BHP) does not include drive losses.

Performance ratings do not include the effects of appurtenances in the airstream.

.75 SP		.875 SP		1.0 SP		1.25 SP		1.50 SP		1.75 SP		2.0 SP		2.5 SP		3.0 SP		3.5 SP		4.0 SP	
RPM	BHP	RPM	BHP	RPM	BHP	RPM	BHP	RPM	BHP	RPM	BHP	RPM	BHP	RPM	BHP	RPM	BHP	RPM	BHP	RPM	BHP
-	-	-	-	-	-	-	-	-	-	-	-	-	-	-	-	-	-	-	-	-	-
-	-	-	-	-	-	-	-	-	-	-	-	-	-	-	-	-	-	-	-	-	-
-	-	-	-	-	-	-	-	-	-	-	-	-	-	-	-	-	-	-	-	-	-
1285	0.09	-	-	-	-	-	-	-	-	-	-	-	-	-	-	-	-	-	-	-	-
1290	0.1	1388	0.12	1482	0.13	-	-	-	-	-	-	-	-	-	-	-	-	-	-	-	-
1300	0.11	1394	0.13	1485	0.14	1657	0.18	-	-	-	-	-	-	-	-	-	-	-	-	-	-
1314	0.12	1404	0.14	1491	0.15	1658	0.19	-	-	-	-	-	-	-	-	-	-	-	-	-	-
1331	0.13	1417	0.15	1501	0.17	1662	0.21	1815	0.25	-	-	-	-	-	-	-	-	-	-	-	-
1352	0.14	1434	0.16	1515	0.18	1670	0.22	1819	0.27	-	-	-	-	-	-	-	-	-	-	-	-
1374	0.16	1454	0.18	1531	0.2	1681	0.24	1825	0.28	1963	0.33	-	-	-	-	-	-	-	-	-	-
1400	0.17	1476	0.19	1550	0.21	1695	0.25	1835	0.3	1969	0.35	2098	0.4	-	-	-	-	-	-	-	-
1426	0.19	1500	0.21	1572	0.23	1712	0.27	1846	0.32	1977	0.37	2103	0.42	-	-	-	-	-	-	-	-
1455	0.21	1527	0.23	1596	0.25	1731	0.29	1862	0.34	1988	0.39	2110	0.44	2345	0.55	-	-	-	-	-	-
1517	0.25	1583	0.27	1649	0.3	1775	0.34	1898	0.39	2017	0.44	2133	0.49	2356	0.61	2569	0.73	-	-	-	-
1583	0.3	1646	0.32	1707	0.35	1827	0.39	1942	0.45	2055	0.5	2165	0.55	2377	0.67	2580	0.79	2776	0.93	-	-
1654	0.36	1713	0.38	1771	0.41	1884	0.46	1994	0.51	2100	0.56	2205	0.62	2406	0.74	2600	0.87	2788	1.01	2969	1.15
1726	0.42	1783	0.45	1838	0.47	1946	0.53	2050	0.58	2151	0.64	2250	0.7	2442	0.82	2628	0.95	2808	1.09	2982	1.24
1800	0.49	1854	0.52	1908	0.55	2011	0.6	2109	0.66	2206	0.72	2300	0.78	2485	0.91	2662	1.05	2834	1.19	3002	1.34
1876	0.57	1929	0.6	1980	0.63	2079	0.69	2174	0.75	2266	0.81	2357	0.88	2533	1.01	2703	1.15	2868	1.29	-	-
1954	0.66	2004	0.69	2054	0.72	2149	0.79	2241	0.85	2329	0.92	2416	0.98	2585	1.12	2748	1.26	2907	1.41	-	-
2034	0.76	2083	0.8	2131	0.83	2223	0.9	2311	0.96	2396	1.03	2480	1.1	2642	1.24	2799	1.39	2952	1.54	-	-
2114	0.87	2162	0.91	2207	0.94	2297	1.01	2382	1.08	2464	1.15	2545	1.23	2701	1.37	2853	1.53	3000	1.68	-	-
2195	0.99	2241	1.03	2286	1.07	2371	1.14	2455	1.21	2535	1.29	2613	1.36	2764	1.52	2910	1.67	-	-	-	-
2276	1.12	2321	1.16	2365	1.2	2449	1.28	2529	1.36	2607	1.43	2682	1.51	2829	1.67	2970	1.84	-	-	-	-
2358	1.27	2402	1.31	2445	1.35	2527	1.43	2605	1.51	2680	1.59	2754	1.68	2896	1.84	-	-	-	-	-	-
2443	1.43	2485	1.47	2527	1.51	2606	1.6	2683	1.68	2755	1.77	2828	1.85	2966	2.02	-	-	-	-	-	-
2526	1.59	2567	1.64	2608	1.69	2686	1.78	2760	1.86	2832	1.95	2901	2.04	-	-	-	-	-	-	-	-
2610	1.78	2651	1.82	2690	1.87	2766	1.97	2839	2.06	2909	2.15	2977	2.24	-	-	-	-	-	-	-	-
2695	1.97	2735	2.02	2774	2.07	2847	2.17	2919	2.27	2987	2.36	-	-	-	-	-	-	-	-	-	-
2779	2.18	2818	2.23	2856	2.29	2929	2.39	2998	2.49	-	-	-	-	-	-	-	-	-	-	-	-
2865	2.41	2903	2.46	2941	2.52	-	-	-	-	-	-	-	-	-	-	-	-	-	-	-	-
2951	2.65	2988	2.71	-	-	-	-	-	-	-	-	-	-	-	-	-	-	-	-	-	-
-	-	-	-	-	-	-	-	-	-	-	-	-	-	-	-	-	-	-	-	-	-
-	-	-	-	-	-	-	-	-	-	-	-	-	-	-	-	-	-	-	-	-	-

PEERLESS-ELECTRIC FORWARD CURVE BELT DRIVE ULTRAFAN-PAK-2002 BLOWERS

SIZE FCB-9

WHEEL DIAMETER - 9"

TIP SPEED = 2.356 x RPM

MAX. SPEED = 2547 RPM

OUTLET { 10 3/4" x 6 1/2" Outside
0.296 Sq. Ft. Inside

INLET { 9" Dia. Outside
0.406 Sq. Ft. Inside

VOL	VEL	0.25 SP		0.375 SP		0.5 SP		.625 SP	
CFM	FPM	RPM	BHP	RPM	BHP	RPM	BHP	RPM	BHP
374	800	615	0.03	730	0.04	-	-	-	-
421	900	635	0.04	741	0.05	841	0.06	-	-
468	1000	658	0.05	757	0.06	850	0.07	940	0.09
515	1100	685	0.06	777	0.07	865	0.09	949	0.1
562	1200	714	0.07	801	0.09	883	0.1	962	0.11
608	1300	745	0.09	826	0.1	904	0.12	979	0.13
655	1400	776	0.1	854	0.12	928	0.13	999	0.15
702	1500	809	0.12	884	0.14	954	0.15	1022	0.17
749	1600	842	0.14	915	0.16	981	0.18	1046	0.2
796	1700	877	0.16	946	0.18	1011	0.2	1073	0.22
842	1800	911	0.19	978	0.21	1041	0.23	1100	0.25
889	1900	946	0.22	1011	0.24	1072	0.26	1130	0.28
936	2000	981	0.25	1045	0.27	1104	0.3	1160	0.32
1030	2200	1053	0.32	1114	0.35	1170	0.37	1223	0.4
1123	2400	1124	0.4	1184	0.43	1238	0.46	1288	0.49
1217	2600	1198	0.5	1255	0.53	1307	0.57	1356	0.6
1310	2800	1271	0.61	1327	0.65	1377	0.68	1424	0.72
1404	3000	1344	0.74	1399	0.78	1449	0.82	1494	0.86
1498	3200	1419	0.89	1472	0.93	1521	0.97	1565	1.01
1591	3400	1493	1.05	1546	1.1	1592	1.14	1636	1.19
1685	3600	1567	1.23	1619	1.29	1666	1.34	1708	1.38
1778	3800	1641	1.43	1693	1.49	1738	1.55	1780	1.6
1872	4000	1716	1.66	1767	1.72	1812	1.78	1853	1.84
1966	4200	1790	1.9	1842	1.97	1886	2.04	1926	2.1
2059	4400	1865	2.17	1916	2.25	1959	2.31	1999	2.38
2153	4600	1940	2.46	1990	2.55	2034	2.62	2073	2.69
2246	4800	2015	2.78	2064	2.87	2107	2.95	2146	3.02
2340	5000	2089	3.13	2139	3.22	2181	3.31	2221	3.39
2434	5200	2165	3.5	2214	3.6	2256	3.69	2295	3.78
2527	5400	2239	3.9	2289	4.01	2331	4.11	2368	4.19
2621	5600	2315	4.33	2364	4.45	2406	4.55	2443	4.65
2714	5800	2389	4.79	2438	4.92	2480	5.02	2517	5.12
2808	6000	2464	5.28	2513	5.42	-	-	-	-
2902	6200	2540	5.81	-	-	-	-	-	-

Performance shown is for installation type B --- free inlet, ducted outlet.

Power rating (BHP) does not include drive losses.

Performance ratings do not include the effects of appurtenances in the airstream.

**PEERLESS-ELECTRIC FORWARD CURVE BELT DRIVE
ULTRAFAN-PAK-2002 BLOWERS**

SIZE FCB-11

WHEEL DIAMETER - 10 1/2"

TIP SPEED = 2.782 x RPM

MAX. SPEED = 2157 RPM

OUTLET { 11 3/4" x 8" Outside
0.636 Sq. Ft. Inside

INLET { 10" Dia. Outside
0.525 Sq. Ft. Inside

VOL	VEL	0.25 SP		0.375 SP		0.5 SP		.625 SP	
CFM	FPM	RPM	BHP	RPM	BHP	RPM	BHP	RPM	BHP
509	800	522	0.04	621	0.06	-	-	-	-
572	900	538	0.05	630	0.07	716	0.08	-	-
636	1000	558	0.06	642	0.08	723	0.1	801	0.12
700	1100	580	0.07	659	0.09	734	0.11	807	0.13
763	1200	603	0.09	678	0.11	749	0.13	817	0.15
827	1300	629	0.11	699	0.13	766	0.15	830	0.17
890	1400	655	0.12	722	0.15	785	0.17	846	0.19
954	1500	683	0.15	746	0.17	807	0.19	865	0.22
1018	1600	711	0.17	772	0.2	830	0.22	885	0.25
1081	1700	739	0.2	798	0.22	854	0.25	907	0.28
1145	1800	769	0.23	826	0.26	879	0.29	930	0.31
1208	1900	798	0.26	853	0.29	905	0.32	954	0.35
1272	2000	828	0.3	882	0.33	932	0.36	980	0.39
1399	2200	889	0.38	940	0.42	987	0.45	1032	0.49
1526	2400	950	0.48	999	0.52	1044	0.56	1087	0.6
1654	2600	1012	0.6	1060	0.64	1103	0.68	1144	0.72
1781	2800	1075	0.73	1121	0.78	1163	0.82	1202	0.87
1908	3000	1138	0.88	1182	0.93	1223	0.98	1261	1.03
2035	3200	1201	1.05	1244	1.11	1284	1.16	1321	1.22
2162	3400	1265	1.24	1307	1.31	1345	1.37	1381	1.42
2290	3600	1329	1.46	1370	1.53	1408	1.59	1443	1.66
2417	3800	1393	1.7	1434	1.78	1470	1.84	1504	1.91
2544	4000	1457	1.97	1497	2.04	1533	2.12	1566	2.19
2671	4200	1522	2.26	1561	2.34	1596	2.42	1628	2.5
2798	4400	1586	2.58	1624	2.67	1659	2.75	1691	2.83
2926	4600	1651	2.92	1689	3.02	1723	3.11	1754	3.2
3053	4800	1716	3.3	1753	3.41	1786	3.5	1817	3.6
3180	5000	1781	3.71	1817	3.83	1850	3.93	1881	4.02
3307	5200	1846	4.16	1882	4.27	1914	4.38	1944	4.49
3434	5400	1911	4.63	1946	4.76	1978	4.87	2008	4.98
3566	5600	1979	5.17	2014	5.3	2045	5.42	2074	5.53
3689	5800	2043	5.7	2076	5.84	2107	5.97	2136	6.09
3816	6000	2108	6.29	2141	6.43	-	-	-	-

Performance shown is for installation type B --- free inlet, ducted outlet.

Power rating (BHP) does not include drive losses.

Performance ratings do not include the effects of appurtenances in the airstream.

.875 SP		1.0 SP		1.25 SP		1.50 SP		1.75 SP		2.0 SP		2.5 SP		3.0 SP		3.5 SP		4.0 SP		4.5 SP	
RPM	BHP	RPM	BHP	RPM	BHP	RPM	BHP	RPM	BHP	RPM	BHP	RPM	BHP	RPM	BHP	RPM	BHP	RPM	BHP	RPM	BHP
-	-	-	-	-	-	-	-	-	-	-	-	-	-	-	-	-	-	-	-	-	-
-	-	-	-	-	-	-	-	-	-	-	-	-	-	-	-	-	-	-	-	-	-
-	-	-	-	-	-	-	-	-	-	-	-	-	-	-	-	-	-	-	-	-	-
948	0.2	-	-	-	-	-	-	-	-	-	-	-	-	-	-	-	-	-	-	-	-
955	0.22	1014	0.24	-	-	-	-	-	-	-	-	-	-	-	-	-	-	-	-	-	-
965	0.24	1022	0.27	1131	0.32	-	-	-	-	-	-	-	-	-	-	-	-	-	-	-	-
977	0.27	1032	0.3	1137	0.35	1238	0.42	-	-	-	-	-	-	-	-	-	-	-	-	-	-
992	0.3	1044	0.33	1145	0.39	1243	0.45	1337	0.52	-	-	-	-	-	-	-	-	-	-	-	-
1009	0.33	1059	0.36	1156	0.42	1250	0.49	1341	0.56	1429	0.63	-	-	-	-	-	-	-	-	-	-
1028	0.37	1076	0.4	1169	0.46	1259	0.53	1347	0.6	1433	0.67	-	-	-	-	-	-	-	-	-	-
1049	0.41	1094	0.44	1184	0.51	1271	0.57	1356	0.65	1438	0.72	1597	0.87	-	-	-	-	-	-	-	-
1071	0.46	1115	0.49	1201	0.55	1284	0.62	1366	0.7	1446	0.77	1601	0.93	-	-	-	-	-	-	-	-
1117	0.56	1159	0.59	1239	0.66	1317	0.73	1393	0.81	1468	0.89	1614	1.05	1754	1.23	-	-	-	-	-	-
1168	0.67	1206	0.71	1282	0.78	1355	0.86	1426	0.94	1497	1.02	1634	1.2	1767	1.38	1896	1.57	-	-	-	-
1221	0.8	1257	0.84	1329	0.93	1398	1.01	1465	1.09	1531	1.18	1661	1.36	1787	1.55	1910	1.74	2029	1.95	-	-
1275	0.96	1310	1	1378	1.09	1444	1.17	1508	1.26	1570	1.35	1693	1.54	1813	1.74	1929	1.94	2043	2.15	2154	2.37
1332	1.13	1365	1.17	1430	1.27	1493	1.36	1553	1.45	1613	1.55	1730	1.75	1843	1.95	1954	2.16	2063	2.38	-	-
1389	1.32	1421	1.37	1484	1.47	1544	1.57	1602	1.67	1659	1.77	1770	1.97	1878	2.19	1984	2.4	2088	2.63	-	-
1447	1.53	1479	1.59	1539	1.69	1596	1.8	1653	1.9	1707	2.01	1814	2.23	1917	2.44	2019	2.67	2118	2.91	-	-
1507	1.77	1537	1.83	1595	1.94	1651	2.05	1705	2.17	1758	2.28	1860	2.5	1959	2.73	2057	2.97	2152	3.21	-	-
1567	2.03	1596	2.1	1653	2.22	1707	2.33	1759	2.45	1810	2.57	1909	2.81	2004	3.05	2097	3.29	-	-	-	-
1627	2.32	1656	2.39	1711	2.52	1764	2.64	1814	2.77	1864	2.89	1959	3.14	2051	3.39	2141	3.64	-	-	-	-
1688	2.64	1716	2.71	1770	2.85	1821	2.98	1870	3.11	1919	3.24	2011	3.5	2100	3.76	-	-	-	-	-	-
1750	2.99	1777	3.06	1830	3.2	1880	3.34	1928	3.48	1974	3.62	2064	3.89	2150	4.16	-	-	-	-	-	-
1812	3.36	1839	3.44	1890	3.59	1939	3.74	1986	3.89	2032	4.03	2119	4.31	-	-	-	-	-	-	-	-
1874	3.77	1900	3.85	1951	4.01	1999	4.17	2044	4.32	2089	4.47	-	-	-	-	-	-	-	-	-	-
1936	4.21	1962	4.29	2012	4.46	2059	4.63	2104	4.79	2147	4.94	-	-	-	-	-	-	-	-	-	-
1999	4.68	2025	4.77	2073	4.95	2119	5.12	-	-	-	-	-	-	-	-	-	-	-	-	-	-
2062	5.18	2087	5.28	2135	5.47	-	-	-	-	-	-	-	-	-	-	-	-	-	-	-	-
2127	5.75	2152	5.85	-	-	-	-	-	-	-	-	-	-	-	-	-	-	-	-	-	-
-	-	-	-	-	-	-	-	-	-	-	-	-	-	-	-	-	-	-	-	-	-
-	-	-	-	-	-	-	-	-	-	-	-	-	-	-	-	-	-	-	-	-	-

PEERLESS-ELECTRIC FORWARD CURVE BELT DRIVE ULTRAFAN-PAK-2002 BLOWERS

SIZE FCB-12

WHEEL DIAMETER - 12 1/4"

TIP SPEED = 3.207 x RPM

MAX. SPEED = 1871 RPM

OUTLET { 13 1/4" x 9 5/8" Outside
0.858 Sq. Ft. Inside

INLET { 13 1/4" Dia. Outside
0.921 Sq. Ft. Inside

VOL	VEL	0.25 SP		0.375 SP		0.5 SP		.625 SP		.75 SP	
CFM	FPM	RPM	BHP	RPM	BHP	RPM	BHP	RPM	BHP	RPM	BHP
686	800	431	0.06	513	0.08	-	-	-	-	-	-
772	900	446	0.07	519	0.09	-	-	-	-	-	-
858	1000	464	0.08	531	0.11	596	0.13	-	-	-	-
944	1100	485	0.1	546	0.13	606	0.15	665	0.18	-	-
1030	1200	508	0.12	564	0.15	619	0.17	674	0.2	728	0.23
1115	1300	531	0.15	584	0.17	635	0.2	686	0.23	737	0.26
1201	1400	555	0.18	606	0.2	654	0.23	701	0.26	748	0.29
1287	1500	581	0.21	628	0.24	674	0.27	719	0.3	763	0.33
1373	1600	606	0.24	652	0.28	696	0.31	738	0.34	779	0.37
1459	1700	633	0.29	677	0.32	718	0.35	758	0.39	798	0.42
1544	1800	659	0.33	702	0.36	742	0.4	780	0.44	818	0.47
1630	1900	686	0.38	727	0.42	766	0.45	803	0.49	839	0.53
1716	2000	713	0.43	753	0.47	790	0.51	826	0.55	861	0.59
1888	2200	767	0.56	806	0.6	841	0.65	875	0.69	907	0.73
2059	2400	822	0.7	860	0.75	893	0.8	925	0.85	956	0.9
2231	2600	878	0.87	914	0.93	946	0.98	977	1.04	1006	1.09
2402	2800	934	1.07	969	1.13	1000	1.19	1029	1.25	1057	1.3
2574	3000	990	1.29	1024	1.36	1054	1.43	1083	1.49	1110	1.55
2746	3200	1046	1.55	1080	1.63	1110	1.7	1137	1.76	1163	1.83
2917	3400	1103	1.84	1135	1.92	1164	2	1192	2.07	1217	2.14
3089	3600	1160	2.16	1192	2.25	1220	2.33	1247	2.41	1271	2.49
3260	3800	1216	2.51	1247	2.61	1276	2.7	1302	2.79	1326	2.87
3432	4000	1273	2.91	1304	3.01	1332	3.11	1357	3.2	1381	3.29
3603	4200	1330	3.34	1361	3.46	1388	3.56	1413	3.66	1436	3.75
3775	4400	1387	3.81	1417	3.94	1444	4.05	1469	4.16	1492	4.26
3947	4600	1445	4.33	1474	4.47	1501	4.59	1525	4.7	1548	4.81
4118	4800	1502	4.89	1531	5.04	1557	5.17	1581	5.29	1603	5.4
4290	5000	1559	5.51	1588	5.66	1614	5.8	1637	5.93	1659	6.05
4462	5200	1617	6.17	1645	6.33	1671	6.48	1694	6.61	1716	6.74
4633	5400	1674	6.88	1702	7.05	1727	7.2	1750	7.35	1772	7.49
4805	5600	1732	7.64	1760	7.82	1784	7.99	1807	8.14	1828	8.29
4976	5800	1789	8.46	1817	8.65	1841	8.82	1864	8.99	-	-
5148	6000	1847	9.33	-	-	-	-	-	-	-	-

Performance shown is for installation type B --- free inlet, ducted outlet.

Power rating (BHP) does not include drive losses.

Performance ratings do not include the effects of appurtenances in the airstream.

.875 SP		1.0 SP		1.25 SP		1.50 SP		1.75 SP		2.0 SP		2.5 SP		3.0 SP		3.5 SP		4.0 SP		4.5 SP	
RPM	BHP	RPM	BHP	RPM	BHP	RPM	BHP	RPM	BHP	RPM	BHP	RPM	BHP	RPM	BHP	RPM	BHP	RPM	BHP	RPM	BHP
-	-	-	-	-	-	-	-	-	-	-	-	-	-	-	-	-	-	-	-	-	-
-	-	-	-	-	-	-	-	-	-	-	-	-	-	-	-	-	-	-	-	-	-
-	-	-	-	-	-	-	-	-	-	-	-	-	-	-	-	-	-	-	-	-	-
-	-	-	-	-	-	-	-	-	-	-	-	-	-	-	-	-	-	-	-	-	-
787	0.29	-	-	-	-	-	-	-	-	-	-	-	-	-	-	-	-	-	-	-	-
795	0.33	842	0.36	-	-	-	-	-	-	-	-	-	-	-	-	-	-	-	-	-	-
807	0.37	850	0.4	938	0.48	-	-	-	-	-	-	-	-	-	-	-	-	-	-	-	-
821	0.41	862	0.45	944	0.52	1026	0.61	-	-	-	-	-	-	-	-	-	-	-	-	-	-
837	0.46	876	0.5	953	0.57	1030	0.66	-	-	-	-	-	-	-	-	-	-	-	-	-	-
855	0.51	892	0.55	965	0.63	1038	0.72	1111	0.81	-	-	-	-	-	-	-	-	-	-	-	-
874	0.57	909	0.61	979	0.69	1048	0.78	1117	0.87	1186	0.97	-	-	-	-	-	-	-	-	-	-
895	0.63	928	0.67	995	0.76	1061	0.85	1127	0.94	1192	1.04	-	-	-	-	-	-	-	-	-	-
939	0.78	970	0.82	1031	0.91	1091	1	1151	1.1	1211	1.21	1331	1.43	-	-	-	-	-	-	-	-
985	0.94	1014	0.99	1071	1.09	1127	1.19	1183	1.29	1238	1.39	1347	1.62	1457	1.86	-	-	-	-	-	-
1034	1.14	1062	1.19	1115	1.29	1168	1.4	1219	1.5	1270	1.61	1372	1.85	1473	2.09	1574	2.36	-	-	-	-
1084	1.36	1111	1.41	1161	1.52	1211	1.63	1259	1.75	1307	1.86	1402	2.1	1496	2.36	1590	2.63	1684	2.91	1777	3.21
1136	1.61	1161	1.67	1210	1.79	1257	1.9	1303	2.02	1348	2.14	1437	2.39	1525	2.66	1613	2.93	1701	3.22	1788	3.52
1188	1.89	1213	1.96	1259	2.08	1304	2.21	1348	2.33	1391	2.46	1475	2.72	1559	2.99	1641	3.27	1724	3.57	1806	3.88
1241	2.21	1265	2.28	1310	2.41	1353	2.54	1395	2.68	1436	2.81	1517	3.08	1595	3.36	1674	3.65	1751	3.96	1829	4.27
1295	2.56	1318	2.63	1361	2.78	1403	2.92	1444	3.06	1483	3.2	1560	3.48	1635	3.78	1710	4.08	1783	4.39	1857	4.71
1349	2.95	1371	3.03	1413	3.18	1454	3.33	1493	3.48	1531	3.63	1605	3.92	1677	4.23	1748	4.54	1819	4.86	-	-
1404	3.38	1425	3.46	1467	3.62	1506	3.78	1544	3.94	1581	4.1	1652	4.41	1721	4.72	1789	5.05	1857	5.38	-	-
1458	3.84	1480	3.93	1520	4.11	1558	4.28	1595	4.44	1631	4.61	1700	4.93	1767	5.26	1832	5.6	-	-	-	-
1513	4.36	1534	4.45	1574	4.64	1611	4.82	1647	4.99	1682	5.16	1749	5.51	1814	5.85	-	-	-	-	-	-
1569	4.91	1589	5.02	1628	5.21	1665	5.4	1700	5.58	1734	5.76	1799	6.13	1862	6.48	-	-	-	-	-	-
1624	5.51	1644	5.62	1682	5.83	1719	6.03	1753	6.22	1786	6.41	1850	6.79	-	-	-	-	-	-	-	-
1680	6.17	1700	6.28	1738	6.5	1773	6.71	1807	6.91	1839	7.12	-	-	-	-	-	-	-	-	-	-
1736	6.87	1756	6.99	1793	7.22	1828	7.44	1861	7.66	-	-	-	-	-	-	-	-	-	-	-	-
1792	7.62	1811	7.75	1848	7.99	-	-	-	-	-	-	-	-	-	-	-	-	-	-	-	-
1848	8.43	1868	8.56	-	-	-	-	-	-	-	-	-	-	-	-	-	-	-	-	-	-
-	-	-	-	-	-	-	-	-	-	-	-	-	-	-	-	-	-	-	-	-	-
-	-	-	-	-	-	-	-	-	-	-	-	-	-	-	-	-	-	-	-	-	-

**PEERLESS-ELECTRIC FORWARD CURVE BELT DRIVE
ULTRAFAN-PAK-2002 BLOWERS**

SIZE FCB-13

WHEEL DIAMETER - 13 1/2"

TIP SPEED = 3.534 x RPM

MAX. SPEED = 1698 RPM

OUTLET { 14 5/8" x 10 3/4" Outside
1.049 Sq. Ft. Inside

INLET { 14 1/2" Dia. Outside
1.108 Sq. Ft. Inside

VOL	VEL	0.25 SP		0.375 SP		0.5 SP		.625 SP	
CFM	FPM	RPM	BHP	RPM	BHP	RPM	BHP	RPM	BHP
839	800	392	0.07	-	-	-	-	-	-
944	900	403	0.08	474	0.11	-	-	-	-
1049	1000	418	0.1	482	0.13	546	0.16	-	-
1154	1100	435	0.12	493	0.15	551	0.19	610	0.22
1259	1200	454	0.15	508	0.18	561	0.21	614	0.25
1364	1300	474	0.17	524	0.21	573	0.24	623	0.28
1469	1400	495	0.21	542	0.24	588	0.28	634	0.32
1574	1500	516	0.24	562	0.28	605	0.32	648	0.36
1678	1600	539	0.28	582	0.32	623	0.36	663	0.4
1783	1700	561	0.33	603	0.37	642	0.41	680	0.46
1888	1800	584	0.38	624	0.42	662	0.47	698	0.51
1993	1900	607	0.43	646	0.48	683	0.53	718	0.57
2098	2000	631	0.49	669	0.54	704	0.59	738	0.64
2308	2200	679	0.64	715	0.69	748	0.74	779	0.8
2518	2400	727	0.8	761	0.86	793	0.92	823	0.98
2727	2600	775	0.99	808	1.06	839	1.13	867	1.19
2937	2800	824	1.22	856	1.29	886	1.36	913	1.43
3147	3000	873	1.47	905	1.55	933	1.63	959	1.71
3357	3200	923	1.76	953	1.85	981	1.93	1006	2.02
3567	3400	972	2.08	1002	2.18	1029	2.28	1054	2.36
3776	3600	1022	2.44	1051	2.55	1077	2.65	1102	2.75
3986	3800	1071	2.85	1100	2.96	1126	3.07	1150	3.18
4196	4000	1121	3.29	1150	3.42	1175	3.54	1199	3.65
4406	4200	1171	3.78	1199	3.92	1224	4.04	1247	4.16
4616	4400	1221	4.32	1249	4.47	1274	4.6	1296	4.73
4825	4600	1271	4.9	1299	5.06	1323	5.2	1345	5.34
5035	4800	1322	5.54	1348	5.71	1372	5.86	1394	6
5245	5000	1372	6.23	1398	6.41	1422	6.57	1444	6.72
5455	5200	1422	6.98	1448	7.17	1472	7.34	1493	7.5
5665	5400	1473	7.78	1499	7.98	1522	8.16	1543	8.34
5874	5600	1523	8.64	1549	8.85	1571	9.05	1592	9.23
6084	5800	1573	9.56	1599	9.79	1621	10	1642	10.19
6294	6000	1624	10.55	1649	10.79	1671	11.01	1692	11.21
6504	6200	1674	11.61	-	-	-	-	-	-

Performance shown is for installation type B --- free inlet, ducted outlet.

Power rating (BHP) does not include drive losses.

Performance ratings do not include the effects of appurtenances in the airstream.

.75 SP		.875 SP		1.0 SP		1.25 SP		1.50 SP		1.75 SP		2.0 SP		2.5 SP		3.0 SP		3.5 SP		4.0 SP		4.5 SP	
RPM	BHP	RPM	BHP	RPM	BHP	RPM	BHP	RPM	BHP	RPM	BHP	RPM	BHP	RPM	BHP	RPM	BHP	RPM	BHP	RPM	BHP	RPM	BHP
-	-	-	-	-	-	-	-	-	-	-	-	-	-	-	-	-	-	-	-	-	-	-	-
-	-	-	-	-	-	-	-	-	-	-	-	-	-	-	-	-	-	-	-	-	-	-	-
-	-	-	-	-	-	-	-	-	-	-	-	-	-	-	-	-	-	-	-	-	-	-	-
668	0.29	-	-	-	-	-	-	-	-	-	-	-	-	-	-	-	-	-	-	-	-	-	-
672	0.32	721	0.37	-	-	-	-	-	-	-	-	-	-	-	-	-	-	-	-	-	-	-	-
680	0.36	725	0.41	771	0.46	-	-	-	-	-	-	-	-	-	-	-	-	-	-	-	-	-	-
690	0.4	733	0.45	776	0.5	-	-	-	-	-	-	-	-	-	-	-	-	-	-	-	-	-	-
703	0.45	743	0.5	783	0.55	863	0.66	-	-	-	-	-	-	-	-	-	-	-	-	-	-	-	-
718	0.5	756	0.55	793	0.6	869	0.71	944	0.83	-	-	-	-	-	-	-	-	-	-	-	-	-	-
734	0.56	770	0.61	806	0.66	877	0.77	948	0.89	-	-	-	-	-	-	-	-	-	-	-	-	-	-
752	0.62	786	0.67	820	0.73	887	0.84	954	0.96	1022	1.09	-	-	-	-	-	-	-	-	-	-	-	-
770	0.69	803	0.75	835	0.8	899	0.91	963	1.04	1027	1.17	1091	1.31	-	-	-	-	-	-	-	-	-	-
810	0.85	840	0.91	869	0.97	928	1.08	986	1.21	1044	1.34	1103	1.48	1219	1.79	-	-	-	-	-	-	-	-
851	1.04	880	1.1	907	1.16	961	1.28	1015	1.41	1068	1.55	1122	1.69	1228	2	1335	2.34	-	-	-	-	-	-
894	1.25	921	1.32	947	1.38	998	1.51	1048	1.65	1097	1.79	1147	1.94	1245	2.25	1344	2.59	1442	2.96	-	-	-	-
939	1.5	964	1.57	989	1.64	1037	1.78	1084	1.92	1130	2.07	1176	2.22	1268	2.54	1359	2.88	1451	3.26	1543	3.65	-	-
985	1.78	1009	1.86	1033	1.93	1078	2.08	1123	2.23	1166	2.38	1210	2.54	1295	2.87	1381	3.22	1466	3.59	1551	3.99	1637	4.41
1031	2.1	1054	2.18	1077	2.25	1121	2.41	1163	2.57	1205	2.73	1246	2.89	1326	3.23	1407	3.59	1487	3.97	1567	4.37	1647	4.8
1078	2.45	1100	2.53	1122	2.62	1165	2.79	1205	2.95	1245	3.12	1284	3.29	1361	3.64	1436	4.01	1512	4.4	1587	4.8	1662	5.23
1125	2.84	1147	2.93	1168	3.02	1209	3.2	1248	3.37	1286	3.55	1324	3.73	1397	4.09	1469	4.47	1540	4.87	1611	5.28	1682	5.72
1173	3.27	1194	3.37	1215	3.47	1254	3.66	1292	3.84	1329	4.03	1365	4.21	1435	4.59	1504	4.98	1572	5.39	1639	5.81	-	-
1221	3.75	1242	3.86	1262	3.96	1300	4.16	1337	4.35	1373	4.55	1407	4.74	1475	5.14	1541	5.55	1606	5.96	1670	6.4	-	-
1269	4.28	1289	4.39	1309	4.5	1347	4.71	1383	4.91	1417	5.12	1451	5.32	1516	5.74	1579	6.16	1642	6.59	-	-	-	-
1317	4.85	1338	4.97	1357	5.08	1394	5.3	1429	5.52	1463	5.74	1495	5.96	1558	6.38	1619	6.82	1680	7.27	-	-	-	-
1366	5.47	1386	5.59	1405	5.71	1441	5.95	1475	6.18	1508	6.41	1540	6.63	1601	7.08	1660	7.54	-	-	-	-	-	-
1415	6.14	1434	6.27	1453	6.4	1488	6.65	1522	6.89	1554	7.14	1585	7.37	1645	7.84	-	-	-	-	-	-	-	-
1464	6.87	1483	7.01	1502	7.15	1536	7.41	1569	7.67	1601	7.92	1631	8.16	1689	8.65	-	-	-	-	-	-	-	-
1513	7.66	1532	7.8	1550	7.95	1585	8.23	1617	8.49	1648	8.76	1677	9.02	-	-	-	-	-	-	-	-	-	-
1563	8.5	1581	8.66	1599	8.81	1633	9.1	1665	9.38	1695	9.66	-	-	-	-	-	-	-	-	-	-	-	-
1612	9.4	1630	9.57	1648	9.73	1681	10.03	-	-	-	-	-	-	-	-	-	-	-	-	-	-	-	-
1661	10.4	1680	10.54	1697	10.71	-	-	-	-	-	-	-	-	-	-	-	-	-	-	-	-	-	-
-	-	-	-	-	-	-	-	-	-	-	-	-	-	-	-	-	-	-	-	-	-	-	-

PEERLESS-ELECTRIC FORWARD CURVE BELT DRIVE ULTRAFAN-PAK-2002 BLOWERS

SIZE FCB-15

WHEEL DIAMETER - 15"

TIP SPEED = 3.927 x RPM

MAX. SPEED = 1400 RPM

OUTLET { 16 1/4" x 11 3/4" Outside
1.280 Sq. Ft. Inside

INLET { 16 1/2" Dia. Outside
1.374 Sq. Ft. Inside

VOL	VEL	0.25 SP		0.375 SP		0.5 SP		.625 SP	
		CFM	FPM	RPM	BHP	RPM	BHP	RPM	BHP
1024	800	346	0.07	409	0.1	-	-	-	-
1152	900	359	0.09	415	0.12	471	0.15	-	-
1280	1000	375	0.11	426	0.14	476	0.17	527	0.21
1408	1100	393	0.14	439	0.17	485	0.2	531	0.24
1536	1200	412	0.17	455	0.2	497	0.23	539	0.27
1664	1300	432	0.2	473	0.23	512	0.27	551	0.31
1792	1400	453	0.24	491	0.27	528	0.31	564	0.35
1920	1500	474	0.28	511	0.32	546	0.36	580	0.4
2048	1600	496	0.33	531	0.37	564	0.41	596	0.46
2176	1700	518	0.39	552	0.43	583	0.47	614	0.52
2304	1800	540	0.45	573	0.49	603	0.54	633	0.59
2432	1900	562	0.51	594	0.56	624	0.61	652	0.66
2560	2000	585	0.59	616	0.64	645	0.69	672	0.74
2816	2200	630	0.76	660	0.82	687	0.87	713	0.93
3072	2400	676	0.96	705	1.02	731	1.09	756	1.15
3328	2600	722	1.19	750	1.26	775	1.33	799	1.4
3584	2800	768	1.46	795	1.54	820	1.62	843	1.69
3840	3000	814	1.76	841	1.86	865	1.94	888	2.02
4096	3200	861	2.11	888	2.21	911	2.3	933	2.39
4352	3400	908	2.51	934	2.61	957	2.71	978	2.81
4608	3600	954	2.94	980	3.06	1003	3.17	1024	3.28
4864	3800	1001	3.43	1027	3.56	1049	3.68	1069	3.79
5120	4000	1048	3.97	1073	4.11	1095	4.24	1115	4.36
5376	4200	1095	4.56	1120	4.72	1142	4.85	1162	4.98
5632	4400	1142	5.21	1167	5.38	1188	5.53	1208	5.66
5888	4600	1189	5.92	1214	6.1	1235	6.26	1254	6.4
6144	4800	1236	6.7	1261	6.88	1282	7.05	1301	7.21
6400	5000	1283	7.53	1308	7.73	1328	7.91	1347	8.08
6656	5200	1331	8.43	1354	8.65	1375	8.84	1394	9.02
6912	5400	1378	9.41	-	-	-	-	-	-

Performance shown is for installation type B --- free inlet, ducted outlet.

Power rating (BHP) does not include drive losses.

Performance ratings do not include the effects of appurtenances in the airstream.

.75 SP		.875 SP		1.0 SP		1.25 SP		1.50 SP		1.75 SP		2.0 SP		2.5 SP		3.0 SP		3.5 SP		4.0 SP	
RPM	BHP	RPM	BHP	RPM	BHP	RPM	BHP	RPM	BHP	RPM	BHP	RPM	BHP	RPM	BHP	RPM	BHP	RPM	BHP	RPM	BHP
-	-	-	-	-	-	-	-	-	-	-	-	-	-	-	-	-	-	-	-	-	-
-	-	-	-	-	-	-	-	-	-	-	-	-	-	-	-	-	-	-	-	-	-
-	-	-	-	-	-	-	-	-	-	-	-	-	-	-	-	-	-	-	-	-	-
577	0.28	-	-	-	-	-	-	-	-	-	-	-	-	-	-	-	-	-	-	-	-
582	0.31	624	0.35	-	-	-	-	-	-	-	-	-	-	-	-	-	-	-	-	-	-
590	0.35	628	0.39	667	0.44	-	-	-	-	-	-	-	-	-	-	-	-	-	-	-	-
600	0.39	636	0.44	672	0.49	745	0.59	-	-	-	-	-	-	-	-	-	-	-	-	-	-
613	0.44	647	0.49	681	0.54	748	0.64	-	-	-	-	-	-	-	-	-	-	-	-	-	-
628	0.5	660	0.55	691	0.6	754	0.7	818	0.81	-	-	-	-	-	-	-	-	-	-	-	-
644	0.56	674	0.61	704	0.66	763	0.77	823	0.88	882	1	-	-	-	-	-	-	-	-	-	-
662	0.63	690	0.68	718	0.73	774	0.84	830	0.96	886	1.08	943	1.21	-	-	-	-	-	-	-	-
680	0.71	707	0.76	734	0.81	787	0.92	840	1.04	893	1.17	946	1.3	-	-	-	-	-	-	-	-
699	0.79	725	0.85	750	0.9	801	1.02	851	1.13	902	1.26	952	1.39	1054	1.68	-	-	-	-	-	-
738	0.99	762	1.04	786	1.1	833	1.22	879	1.34	925	1.47	970	1.61	1062	1.9	1155	2.22	-	-	-	-
779	1.21	802	1.27	824	1.33	868	1.46	910	1.59	953	1.73	995	1.87	1079	2.16	1163	2.49	1248	2.83	-	-
821	1.47	843	1.53	864	1.6	905	1.74	945	1.87	985	2.02	1024	2.16	1101	2.47	1179	2.8	1257	3.14	1335	3.52
865	1.76	885	1.83	906	1.91	945	2.05	982	2.2	1019	2.35	1056	2.5	1128	2.82	1201	3.15	1273	3.51	1345	3.88
909	2.1	929	2.18	948	2.25	985	2.41	1021	2.56	1056	2.72	1091	2.88	1159	3.21	1227	3.56	1294	3.92	1361	4.3
953	2.48	972	2.56	991	2.65	1027	2.81	1062	2.98	1095	3.14	1128	3.31	1193	3.65	1256	4.01	1319	4.38	1382	4.77
998	2.9	1017	2.99	1035	3.08	1070	3.26	1103	3.43	1135	3.61	1167	3.78	1228	4.14	1288	4.51	1348	4.9	-	-
1043	3.37	1061	3.47	1079	3.57	1113	3.76	1145	3.94	1176	4.13	1207	4.31	1265	4.69	1323	5.07	1380	5.47	-	-
1088	3.9	1107	4	1124	4.1	1157	4.3	1188	4.5	1218	4.7	1247	4.89	1304	5.29	1359	5.68	-	-	-	-
1134	4.47	1152	4.59	1169	4.69	1201	4.91	1232	5.12	1261	5.32	1289	5.53	1344	5.94	1397	6.35	-	-	-	-
1180	5.1	1198	5.22	1214	5.34	1246	5.57	1275	5.79	1304	6	1332	6.22	1385	6.65	-	-	-	-	-	-
1226	5.79	1243	5.92	1260	6.05	1291	6.28	1320	6.52	1348	6.75	1374	6.97	-	-	-	-	-	-	-	-
1272	6.54	1289	6.68	1305	6.81	1336	7.07	1364	7.31	1392	7.56	-	-	-	-	-	-	-	-	-	-
1319	7.36	1335	7.5	1351	7.64	1381	7.91	-	-	-	-	-	-	-	-	-	-	-	-	-	-
1365	8.24	1381	8.39	1397	8.54	-	-	-	-	-	-	-	-	-	-	-	-	-	-	-	-
-	-	-	-	-	-	-	-	-	-	-	-	-	-	-	-	-	-	-	-	-	-
-	-	-	-	-	-	-	-	-	-	-	-	-	-	-	-	-	-	-	-	-	-

PEERLESS-ELECTRIC FORWARD CURVE BELT DRIVE ULTRAFAN-PAK-2002 BLOWERS

SIZE FCB-16

WHEEL DIAMETER - 16 1/4"

TIP SPEED = 4.189 x RPM

MAX. SPEED = 1313 RPM

OUTLET { 17 3/4" x 13" Outside
1.560 Sq. Ft. Inside
INLET { 17 7/8" Dia. Outside
1.670 Sq. Ft. Inside

VOL	VEL	0.25 SP		0.375 SP		0.5 SP		.625 SP		.75 SP	
		CFM	FPM	RPM	BHP	RPM	BHP	RPM	BHP	RPM	BHP
1248	800	328	0.1	388	0.13	-	-	-	-	-	-
1404	900	340	0.12	394	0.15	448	0.19	-	-	-	-
1560	1000	355	0.15	403	0.18	452	0.22	500	0.27	-	-
1716	1100	371	0.18	416	0.22	460	0.26	504	0.3	548	0.35
1872	1200	389	0.21	430	0.26	471	0.3	511	0.35	552	0.4
2028	1300	408	0.26	447	0.3	484	0.35	522	0.4	559	0.45
2184	1400	427	0.31	464	0.35	499	0.4	534	0.45	569	0.51
2340	1500	447	0.36	482	0.41	515	0.46	548	0.52	581	0.57
2496	1600	467	0.42	501	0.48	533	0.53	564	0.59	594	0.65
2652	1700	488	0.49	520	0.55	551	0.61	580	0.67	609	0.73
2808	1800	509	0.57	540	0.63	569	0.69	597	0.75	625	0.82
2964	1900	530	0.66	560	0.72	588	0.78	615	0.85	642	0.92
3120	2000	551	0.75	581	0.82	608	0.89	634	0.95	659	1.02
3432	2200	594	0.96	622	1.04	648	1.12	672	1.19	696	1.27
3744	2400	637	1.22	664	1.31	689	1.39	712	1.47	735	1.55
4056	2600	681	1.52	707	1.61	731	1.7	753	1.79	774	1.88
4368	2800	725	1.86	750	1.97	773	2.06	795	2.16	815	2.25
4680	3000	769	2.26	794	2.37	816	2.48	837	2.58	856	2.68
4992	3200	814	2.71	838	2.83	859	2.94	879	3.06	898	3.17
5304	3400	859	3.21	882	3.34	903	3.47	922	3.59	941	3.71
5616	3600	903	3.78	926	3.92	946	4.05	965	4.18	983	4.31
5928	3800	948	4.41	970	4.56	990	4.7	1009	4.84	1026	4.98
6240	4000	993	5.1	1015	5.27	1034	5.42	1053	5.57	1070	5.71
6552	4200	1038	5.87	1059	6.04	1079	6.21	1097	6.37	1113	6.52
6864	4400	1084	6.71	1104	6.9	1123	7.07	1141	7.24	1157	7.4
7176	4600	1129	7.63	1149	7.83	1168	8.02	1185	8.19	1201	8.37
7488	4800	1174	8.63	1194	8.84	1212	9.04	1229	9.23	1245	9.41
7800	5000	1220	9.72	1239	9.94	1257	10.15	1274	10.35	1289	10.54
8112	5200	1265	10.9	1284	11.13	1302	11.35	-	-	-	-
8424	5400	1311	12.16	-	-	-	-	-	-	-	-

Performance shown is for installation type B --- free inlet, ducted outlet.

Power rating (BHP) does not include drive losses.

Performance ratings do not include the effects of appurtenances in the airstream.

.875 SP		1.0 SP		1.25 SP		1.50 SP		1.75 SP		2.0 SP		2.5 SP		3.0 SP		3.5 SP		4.0 SP	
RPM	BHP	RPM	BHP	RPM	BHP	RPM	BHP	RPM	BHP	RPM	BHP	RPM	BHP	RPM	BHP	RPM	BHP	RPM	BHP
-	-	-	-	-	-	-	-	-	-	-	-	-	-	-	-	-	-	-	-
-	-	-	-	-	-	-	-	-	-	-	-	-	-	-	-	-	-	-	-
-	-	-	-	-	-	-	-	-	-	-	-	-	-	-	-	-	-	-	-
-	-	-	-	-	-	-	-	-	-	-	-	-	-	-	-	-	-	-	-
592	0.45	-	-	-	-	-	-	-	-	-	-	-	-	-	-	-	-	-	-
596	0.5	634	0.56	-	-	-	-	-	-	-	-	-	-	-	-	-	-	-	-
603	0.56	638	0.62	708	0.74	-	-	-	-	-	-	-	-	-	-	-	-	-	-
613	0.63	645	0.69	710	0.82	-	-	-	-	-	-	-	-	-	-	-	-	-	-
625	0.71	655	0.77	716	0.9	776	1.03	-	-	-	-	-	-	-	-	-	-	-	-
638	0.79	666	0.85	724	0.99	781	1.13	838	1.27	-	-	-	-	-	-	-	-	-	-
652	0.88	679	0.95	733	1.09	787	1.23	841	1.38	895	1.54	-	-	-	-	-	-	-	-
668	0.98	694	1.05	745	1.19	796	1.34	847	1.5	898	1.66	-	-	-	-	-	-	-	-
684	1.09	709	1.16	758	1.31	807	1.46	855	1.62	904	1.78	1001	2.13	-	-	-	-	-	-
719	1.34	742	1.42	787	1.57	832	1.74	876	1.9	920	2.07	1008	2.43	1097	2.81	-	-	-	-
756	1.63	778	1.71	820	1.88	861	2.05	901	2.23	942	2.41	1023	2.79	1104	3.18	1185	3.59	-	-
795	1.97	815	2.06	855	2.23	893	2.42	931	2.6	968	2.79	1043	3.19	1118	3.6	1193	4.03	1268	4.47
835	2.35	854	2.44	891	2.63	927	2.83	963	3.02	998	3.23	1068	3.64	1137	4.07	1207	4.51	1276	4.97
875	2.79	894	2.89	929	3.09	964	3.29	998	3.5	1031	3.71	1096	4.14	1161	4.59	1226	5.05	1291	5.53
917	3.28	934	3.38	969	3.6	1001	3.82	1034	4.04	1065	4.26	1127	4.71	1188	5.18	1249	5.65	1310	6.15
958	3.82	976	3.94	1009	4.17	1040	4.4	1071	4.63	1101	4.87	1160	5.34	1218	5.82	1276	6.32	-	-
1001	4.44	1017	4.56	1049	4.8	1080	5.05	1109	5.29	1138	5.54	1195	6.03	1250	6.54	1305	7.06	-	-
1043	5.11	1059	5.24	1090	5.5	1120	5.76	1149	6.02	1177	6.28	1231	6.8	1284	7.32	-	-	-	-
1086	5.86	1102	5.99	1132	6.27	1161	6.54	1189	6.81	1216	7.08	1268	7.63	-	-	-	-	-	-
1129	6.67	1145	6.82	1174	7.11	1202	7.4	1229	7.68	1255	7.97	1306	8.54	-	-	-	-	-	-
1173	7.56	1188	7.72	1217	8.03	1244	8.33	1270	8.63	1296	8.93	-	-	-	-	-	-	-	-
1216	8.53	1231	8.7	1259	9.02	1286	9.34	1312	9.66	-	-	-	-	-	-	-	-	-	-
1260	9.59	1275	9.76	1302	10.1	-	-	-	-	-	-	-	-	-	-	-	-	-	-
1304	10.72	-	-	-	-	-	-	-	-	-	-	-	-	-	-	-	-	-	-
-	-	-	-	-	-	-	-	-	-	-	-	-	-	-	-	-	-	-	-
-	-	-	-	-	-	-	-	-	-	-	-	-	-	-	-	-	-	-	-

PEERLESS-ELECTRIC FORWARD CURVE BELT DRIVE ULTRAFAN-PAK-2002 BLOWERS

SIZE FCB-18

WHEEL DIAMETER - 18 1/4"

TIP SPEED = 4.712 x RPM

MAX. SPEED = 1061 RPM

OUTLET { 19 5/8" x 14 1/4" Outside
1.899 Sq. Ft. Inside

INLET { 19 5/8" Dia. Outside
2.020 Sq. Ft. Inside

VOL	VEL	0.25 SP		0.375 SP		0.5 SP		.625 SP	
		RPM	BHP	RPM	BHP	RPM	BHP	RPM	BHP
1519	800	296	0.11	352	0.16	-	-	-	-
1709	900	306	0.14	356	0.19	406	0.24	-	-
1899	1000	318	0.17	364	0.22	409	0.27	454	0.33
2089	1100	331	0.2	374	0.25	416	0.31	457	0.37
2279	1200	346	0.24	386	0.29	425	0.35	463	0.42
2469	1300	361	0.29	399	0.34	435	0.4	471	0.47
2659	1400	377	0.34	413	0.4	447	0.46	481	0.53
2849	1500	394	0.4	428	0.46	460	0.53	492	0.6
3038	1600	411	0.46	443	0.53	475	0.6	504	0.67
3228	1700	428	0.54	459	0.61	489	0.68	518	0.76
3418	1800	445	0.62	476	0.69	505	0.77	532	0.85
3608	1900	463	0.71	493	0.79	520	0.87	547	0.95
3798	2000	481	0.81	510	0.89	537	0.98	562	1.06
4178	2200	517	1.03	544	1.13	570	1.22	594	1.32
4558	2400	553	1.3	580	1.41	604	1.51	627	1.61
4937	2600	590	1.61	616	1.73	639	1.84	661	1.95
5317	2800	627	1.97	652	2.1	675	2.22	696	2.35
5697	3000	665	2.38	689	2.52	711	2.66	731	2.79
6077	3200	702	2.85	726	3	747	3.15	767	3.29
6457	3400	740	3.37	763	3.54	784	3.7	803	3.85
6836	3600	778	3.95	800	4.13	820	4.31	839	4.47
7216	3800	816	4.6	838	4.8	857	4.98	876	5.16
7596	4000	854	5.32	875	5.53	895	5.73	913	5.92
7976	4200	892	6.11	913	6.34	932	6.55	950	6.75
8356	4400	931	6.98	951	7.22	970	7.44	987	7.66
8735	4600	969	7.92	989	8.18	1007	8.42	1024	8.65
9115	4800	1008	8.95	1027	9.22	1045	9.48	-	-
9495	5000	1046	10.07	-	-	-	-	-	-

Performance shown is for installation type B --- free inlet, ducted outlet.

Power rating (BHP) does not include drive losses.

Performance ratings do not include the effects of appurtenances in the airstream.

.75 SP		.875 SP		1.0 SP		1.25 SP		1.50 SP		1.75 SP		2.0 SP		2.5 SP		3.0 SP	
RPM	BHP	RPM	BHP	RPM	BHP	RPM	BHP	RPM	BHP	RPM	BHP	RPM	BHP	RPM	BHP	RPM	BHP
-	-	-	-	-	-	-	-	-	-	-	-	-	-	-	-	-	-
-	-	-	-	-	-	-	-	-	-	-	-	-	-	-	-	-	-
-	-	-	-	-	-	-	-	-	-	-	-	-	-	-	-	-	-
497	0.44	-	-	-	-	-	-	-	-	-	-	-	-	-	-	-	-
500	0.49	537	0.56	-	-	-	-	-	-	-	-	-	-	-	-	-	-
506	0.54	540	0.61	575	0.69	-	-	-	-	-	-	-	-	-	-	-	-
513	0.6	546	0.68	578	0.76	642	0.93	-	-	-	-	-	-	-	-	-	-
523	0.67	554	0.75	584	0.83	644	1	-	-	-	-	-	-	-	-	-	-
534	0.75	563	0.83	591	0.91	648	1.09	704	1.28	-	-	-	-	-	-	-	-
546	0.84	573	0.92	601	1	654	1.18	707	1.38	760	1.58	-	-	-	-	-	-
559	0.93	585	1.02	611	1.1	662	1.29	713	1.48	763	1.69	812	1.92	-	-	-	-
573	1.04	598	1.12	623	1.21	671	1.4	720	1.6	767	1.81	814	2.04	-	-	-	-
587	1.15	611	1.24	635	1.33	682	1.52	728	1.73	773	1.94	819	2.17	908	2.66	-	-
617	1.41	640	1.51	662	1.6	705	1.81	748	2.02	790	2.24	831	2.47	914	2.97	995	3.51
649	1.72	671	1.82	691	1.92	732	2.14	772	2.36	810	2.59	849	2.83	925	3.33	1000	3.88
682	2.06	702	2.18	722	2.29	760	2.51	798	2.75	834	2.98	870	3.23	941	3.75	1011	4.31
716	2.46	735	2.58	754	2.7	791	2.94	826	3.19	860	3.44	894	3.7	961	4.24	1027	4.81
750	2.92	769	3.05	787	3.17	822	3.43	856	3.69	889	3.95	921	4.22	984	4.78	1046	5.37
786	3.43	804	3.57	821	3.7	855	3.97	887	4.25	918	4.52	949	4.81	1009	5.39	-	-
821	4	839	4.15	855	4.29	888	4.58	919	4.87	949	5.16	979	5.45	1036	6.06	-	-
857	4.63	874	4.79	890	4.94	922	5.25	952	5.56	981	5.86	1009	6.17	-	-	-	-
893	5.33	910	5.5	926	5.66	956	5.99	985	6.31	1013	6.64	1041	6.96	-	-	-	-
930	6.1	946	6.28	961	6.46	991	6.8	1019	7.14	1047	7.48	-	-	-	-	-	-
966	6.95	982	7.14	997	7.32	1026	7.69	1054	8.05	-	-	-	-	-	-	-	-
1003	7.87	1019	8.07	1034	8.27	-	-	-	-	-	-	-	-	-	-	-	-
1040	8.87	1055	9.08	-	-	-	-	-	-	-	-	-	-	-	-	-	-
-	-	-	-	-	-	-	-	-	-	-	-	-	-	-	-	-	-
-	-	-	-	-	-	-	-	-	-	-	-	-	-	-	-	-	-

PEERLESS-ELECTRIC FORWARD CURVE BELT DRIVE ULTRAFAN-PAK-2002 BLOWERS

SIZE FCB-20

WHEEL DIAMETER - 20"

TIP SPEED = 5.236 x RPM

MAX. SPEED = 955 RPM

OUTLET { 11 1/2" x 15 7/8" Outside
2.316 Sq. Ft. Inside
INLET { 21 1/2" Dia. Outside
2.435 Sq. Ft. Inside

VOL	VEL	0.25 SP		0.375 SP		0.5 SP		.625 SP	
CFM	FPM	RPM	BHP	RPM	BHP	RPM	BHP	RPM	BHP
1853	800	256	0.14	308	0.19	-	-	-	-
2084	900	263	0.16	309	0.22	-	-	-	-
2316	1000	272	0.2	314	0.26	356	0.33	-	-
2548	1100	282	0.24	321	0.3	360	0.37	398	0.45
2780	1200	294	0.29	330	0.35	366	0.42	401	0.5
3011	1300	307	0.34	341	0.41	374	0.48	406	0.56
3242	1400	320	0.4	352	0.47	383	0.55	413	0.63
3474	1500	333	0.47	364	0.55	393	0.63	422	0.71
3706	1600	347	0.55	376	0.63	404	0.71	431	0.8
3937	1700	362	0.64	389	0.72	416	0.81	442	0.9
4169	1800	376	0.74	403	0.83	428	0.92	453	1.01
4400	1900	391	0.85	417	0.94	441	1.03	465	1.13
4632	2000	406	0.97	431	1.07	455	1.16	477	1.26
5095	2200	437	1.25	460	1.35	482	1.46	504	1.57
5558	2400	468	1.57	490	1.69	511	1.8	531	1.92
6022	2600	499	1.96	520	2.08	540	2.21	559	2.33
6485	2800	531	2.4	551	2.54	570	2.67	588	2.81
6948	3000	563	2.9	582	3.05	601	3.2	618	3.34
7411	3200	595	3.48	614	3.64	631	3.8	648	3.95
7875	3400	628	4.13	646	4.3	663	4.47	679	4.64
8338	3600	660	4.85	678	5.04	694	5.22	709	5.4
8801	3800	693	5.66	710	5.86	726	6.05	740	6.24
9264	4000	726	6.55	742	6.77	757	6.97	772	7.17
9727	4200	759	7.54	775	7.76	789	7.98	803	8.19
10190	4400	792	8.62	807	8.86	822	9.09	835	9.31
10654	4600	825	9.8	840	10.05	854	10.3	867	10.53
11117	4800	859	11.09	873	11.36	886	11.61	899	11.86
11580	5000	892	12.49	906	12.76	919	13.03	932	13.29
12043	5200	925	14	939	14.29	952	14.57	-	-

Performance shown is for installation type B --- free inlet, ducted outlet.

Power rating (BHP) does not include drive losses.

Performance ratings do not include the effects of appurtenances in the airstream.

PEERLESS-ELECTRIC FORWARD CURVE BELT DRIVE ULTRAFAN-PAK-2002 BLOWERS

SIZE FCB-22

WHEEL DIAMETER - 22 1/4"

TIP SPEED = 5.825 x RPM

MAX. SPEED = 858 RPM

OUTLET { 24" x 17 3/8" Outside
2.827 Sq. Ft. Inside
INLET { 23 7/8" Dia. Outside
3.015 Sq. Ft. Inside

VOL	VEL	0.25 SP		0.375 SP		0.5 SP		.625 SP	
CFM	FPM	RPM	BHP	RPM	BHP	RPM	BHP	RPM	BHP
2262	800	232	0.16	-	-	-	-	-	-
2544	900	236	0.19	-	-	-	-	-	-
2827	1000	242	0.23	285	0.31	-	-	-	-
3110	1100	250	0.27	289	0.35	328	0.45	-	-
3392	1200	259	0.32	294	0.4	330	0.5	367	0.6
3675	1300	269	0.38	302	0.47	335	0.56	368	0.67
3958	1400	280	0.45	310	0.54	341	0.63	372	0.74
4241	1500	291	0.52	320	0.62	348	0.72	377	0.82
4523	1600	303	0.61	330	0.71	357	0.81	384	0.92
4806	1700	315	0.7	341	0.8	366	0.91	391	1.02
5089	1800	328	0.81	352	0.92	376	1.03	400	1.14
5371	1900	340	0.93	364	1.04	387	1.15	409	1.27
5654	2000	353	1.05	376	1.17	398	1.29	419	1.42
6219	2200	379	1.35	401	1.48	421	1.61	441	1.74
6785	2400	406	1.7	426	1.84	445	1.98	464	2.12
7350	2600	433	2.1	452	2.26	470	2.41	488	2.57
7916	2800	460	2.57	479	2.74	496	2.91	512	3.07
8481	3000	488	3.11	505	3.29	522	3.47	538	3.65
9046	3200	515	3.72	532	3.91	548	4.11	563	4.3
9612	3400	543	4.4	560	4.61	575	4.82	590	5.03
10177	3600	571	5.17	587	5.4	602	5.62	616	5.84
10743	3800	599	6.02	615	6.27	629	6.5	643	6.73
11308	4000	628	6.96	643	7.22	656	7.48	670	7.72
11873	4200	656	8	670	8.28	684	8.55	697	8.81
12439	4400	684	9.14	698	9.44	712	9.72	724	10
13004	4600	713	10.38	726	10.69	739	11	751	11.29
13570	4800	741	11.74	755	12.07	767	12.39	779	12.69
14135	5000	770	13.2	783	13.55	795	13.89	807	14.21
14700	5200	798	14.79	811	15.16	823	15.51	834	15.85
15266	5400	827	16.5	840	16.89	851	17.26	-	-
15831	5600	856	18.34	-	-	-	-	-	-

Performance shown is for installation type B --- free inlet, ducted outlet.

Power rating (BHP) does not include drive losses.

Performance ratings do not include the effects of appurtenances in the airstream.

.75 SP		.875 SP		1.0 SP		1.25 SP		1.50 SP		1.75 SP		2.0 SP		2.5 SP		3.0 SP	
RPM	BHP	RPM	BHP	RPM	BHP	RPM	BHP	RPM	BHP	RPM	BHP	RPM	BHP	RPM	BHP	RPM	BHP
-	-	-	-	-	-	-	-	-	-	-	-	-	-	-	-	-	-
-	-	-	-	-	-	-	-	-	-	-	-	-	-	-	-	-	-
-	-	-	-	-	-	-	-	-	-	-	-	-	-	-	-	-	-
-	-	-	-	-	-	-	-	-	-	-	-	-	-	-	-	-	-
-	-	-	-	-	-	-	-	-	-	-	-	-	-	-	-	-	-
401	0.78	-	-	-	-	-	-	-	-	-	-	-	-	-	-	-	-
403	0.86	434	0.99	-	-	-	-	-	-	-	-	-	-	-	-	-	-
406	0.94	435	1.07	464	1.21	-	-	-	-	-	-	-	-	-	-	-	-
410	1.04	437	1.17	465	1.3	-	-	-	-	-	-	-	-	-	-	-	-
416	1.15	442	1.27	467	1.41	518	1.71	-	-	-	-	-	-	-	-	-	-
424	1.27	448	1.4	471	1.53	520	1.84	-	-	-	-	-	-	-	-	-	-
432	1.4	454	1.53	477	1.67	522	1.97	568	2.3	-	-	-	-	-	-	-	-
441	1.54	462	1.68	483	1.82	526	2.12	570	2.46	613	2.82	-	-	-	-	-	-
460	1.88	480	2.02	499	2.17	538	2.48	577	2.81	617	3.17	656	3.56	-	-	-	-
482	2.27	500	2.42	518	2.57	553	2.89	589	3.23	625	3.6	661	3.99	733	4.83	-	-
505	2.72	521	2.88	538	3.04	571	3.37	603	3.72	636	4.09	669	4.48	736	5.34	803	6.28
529	3.24	544	3.4	560	3.57	590	3.92	621	4.28	651	4.66	682	5.06	743	5.92	805	6.86
553	3.82	568	4	583	4.18	611	4.55	640	4.92	668	5.31	697	5.72	754	6.59	811	7.53
578	4.49	592	4.67	606	4.86	634	5.25	660	5.64	687	6.04	714	6.46	767	7.35	821	8.3
604	5.23	617	5.43	631	5.63	657	6.03	682	6.44	707	6.86	732	7.29	783	8.2	833	9.17
630	6.05	643	6.26	656	6.47	680	6.9	705	7.33	729	7.76	753	8.21	800	9.14	847	10.13
656	6.96	669	7.19	681	7.41	705	7.86	728	8.31	751	8.76	774	9.23	819	10.19	-	-
682	7.96	695	8.2	707	8.44	730	8.91	752	9.38	774	9.85	796	10.34	839	11.33	-	-
709	9.06	721	9.31	733	9.56	755	10.06	777	10.55	798	11.05	819	11.55	-	-	-	-
736	10.27	748	10.53	759	10.79	781	11.31	802	11.83	822	12.35	842	12.87	-	-	-	-
763	11.57	774	11.85	785	12.13	807	12.67	827	13.22	847	13.76	-	-	-	-	-	-
790	12.99	801	13.29	812	13.58	833	14.15	853	14.72	-	-	-	-	-	-	-	-
818	14.52	829	14.83	839	15.14	-	-	-	-	-	-	-	-	-	-	-	-
845	16.18	856	16.5	-	-	-	-	-	-	-	-	-	-	-	-	-	-
-	-	-	-	-	-	-	-	-	-	-	-	-	-	-	-	-	-
-	-	-	-	-	-	-	-	-	-	-	-	-	-	-	-	-	-

**PEERLESS-ELECTRIC FORWARD CURVE BELT DRIVE
ULTRAFAN-PAK-2002 BLOWERS**

SIZE FCB-24

WHEEL DIAMETER - 24 1/2"

TIP SPEED = 6.414 x RPM

MAX. SPEED = 779 RPM

OUTLET { 26 1/4" x 19 3/4" Outside
3.458 Sq. Ft. Inside

INLET { 26 3/8" Dia. Outside
3.650 Sq. Ft. Inside

VOL	VEL	0.25 SP		0.375 SP		0.5 SP		.625 SP	
		CFM	FPM	RPM	BHP	RPM	BHP	RPM	BHP
2766	800	209	0.19	252	0.28	-	-	-	-
3112	900	214	0.23	254	0.32	-	-	-	-
3458	1000	220	0.28	257	0.37	292	0.47	-	-
3804	1100	228	0.33	262	0.43	295	0.53	326	0.64
4150	1200	236	0.39	268	0.49	299	0.6	329	0.72
4495	1300	245	0.47	275	0.57	304	0.68	332	0.8
4841	1400	254	0.55	283	0.66	311	0.77	337	0.89
5187	1500	263	0.64	291	0.75	318	0.88	343	1
5533	1600	273	0.74	300	0.86	325	0.99	350	1.12
5879	1700	283	0.85	309	0.98	334	1.12	357	1.25
6224	1800	294	0.98	319	1.12	342	1.26	365	1.4
6570	1900	304	1.12	329	1.27	351	1.41	373	1.56
6916	2000	315	1.27	339	1.43	361	1.58	382	1.74
7608	2200	337	1.62	359	1.79	380	1.96	400	2.13
8299	2400	359	2.03	381	2.22	400	2.41	419	2.59
8991	2600	381	2.5	402	2.72	421	2.92	439	3.12
9682	2800	404	3.05	424	3.28	442	3.51	460	3.72
10374	3000	427	3.67	446	3.93	464	4.17	481	4.41
11066	3200	450	4.38	469	4.66	486	4.92	502	5.18
11757	3400	473	5.17	491	5.48	508	5.76	524	6.04
12449	3600	496	6.06	514	6.39	531	6.69	546	6.99
13140	3800	520	7.04	537	7.39	553	7.73	568	8.04
13832	4000	543	8.12	560	8.51	576	8.86	590	9.2
14524	4200	567	9.32	583	9.73	599	10.11	613	10.47
15215	4400	590	10.62	607	11.06	622	11.47	636	11.86
15907	4600	614	12.05	630	12.52	645	12.95	658	13.36
16598	4800	638	13.6	654	14.09	668	14.55	681	14.99
17290	5000	662	15.28	677	15.8	691	16.29	704	16.75
17982	5200	686	17.1	701	17.65	714	18.16	727	18.65
18673	5400	710	19.05	724	19.63	738	20.17	751	20.69
19365	5600	734	21.15	748	21.76	761	22.33	774	22.88
20056	5800	758	23.4	772	24.04	-	-	-	-

Performance shown is for installation type B --- free inlet, ducted outlet.

Power rating (BHP) does not include drive losses.

Performance ratings do not include the effects of appurtenances in the airstream.

.75 SP		.875 SP		1.0 SP		1.25 SP		1.50 SP		1.75 SP		2.0 SP		2.5 SP		3.0 SP		3.5 SP	
RPM	BHP	RPM	BHP	RPM	BHP	RPM	BHP	RPM	BHP	RPM	BHP	RPM	BHP	RPM	BHP	RPM	BHP	RPM	BHP
-	-	-	-	-	-	-	-	-	-	-	-	-	-	-	-	-	-	-	-
-	-	-	-	-	-	-	-	-	-	-	-	-	-	-	-	-	-	-	-
-	-	-	-	-	-	-	-	-	-	-	-	-	-	-	-	-	-	-	-
357	0.84	-	-	-	-	-	-	-	-	-	-	-	-	-	-	-	-	-	-
360	0.93	386	1.06	-	-	-	-	-	-	-	-	-	-	-	-	-	-	-	-
363	1.03	388	1.16	413	1.31	-	-	-	-	-	-	-	-	-	-	-	-	-	-
368	1.14	392	1.28	415	1.43	461	1.75	-	-	-	-	-	-	-	-	-	-	-	-
373	1.26	396	1.41	419	1.56	462	1.88	505	2.23	-	-	-	-	-	-	-	-	-	-
379	1.4	401	1.55	423	1.7	465	2.03	506	2.39	-	-	-	-	-	-	-	-	-	-
386	1.55	407	1.7	428	1.86	468	2.19	507	2.55	546	2.94	-	-	-	-	-	-	-	-
394	1.71	414	1.87	434	2.03	473	2.38	510	2.74	547	3.13	583	3.54	-	-	-	-	-	-
402	1.89	422	2.06	441	2.22	478	2.57	514	2.94	550	3.34	584	3.75	-	-	-	-	-	-
419	2.3	437	2.47	455	2.65	490	3.02	524	3.41	557	3.81	590	4.24	653	5.15	-	-	-	-
437	2.77	455	2.96	472	3.15	505	3.54	536	3.94	567	4.36	598	4.8	657	5.73	715	6.73	-	-
456	3.32	473	3.52	489	3.72	520	4.13	550	4.55	580	4.99	609	5.44	665	6.4	719	7.42	772	8.52
476	3.94	492	4.15	508	4.37	537	4.8	566	5.25	594	5.71	621	6.18	674	7.16	726	8.21	776	9.32
497	4.64	512	4.87	527	5.1	555	5.56	583	6.03	609	6.51	635	7	686	8.02	735	9.09	-	-
518	5.43	532	5.68	547	5.92	574	6.41	600	6.91	626	7.41	651	7.92	699	8.98	746	10.08	-	-
539	6.31	553	6.57	567	6.83	593	7.35	619	7.88	644	8.4	667	8.94	714	10.03	759	11.18	-	-
560	7.28	574	7.56	588	7.84	613	8.4	638	8.95	662	9.5	685	10.06	730	11.2	773	12.38	-	-
582	8.35	596	8.66	609	8.95	634	9.54	658	10.12	681	10.71	703	11.29	746	12.48	-	-	-	-
604	9.53	617	9.86	630	10.17	654	10.8	678	11.41	700	12.02	722	12.64	763	13.88	-	-	-	-
626	10.83	639	11.17	652	11.51	675	12.17	698	12.81	720	13.46	741	14.1	-	-	-	-	-	-
649	12.23	661	12.6	673	12.95	697	13.65	719	14.34	740	15.01	761	15.69	-	-	-	-	-	-
671	13.76	684	14.15	696	14.52	718	15.26	740	15.98	761	16.7	-	-	-	-	-	-	-	-
694	15.41	706	15.82	718	16.22	740	17	761	17.76	-	-	-	-	-	-	-	-	-	-
717	17.2	729	17.63	740	18.05	762	18.87	-	-	-	-	-	-	-	-	-	-	-	-
740	19.12	751	19.58	763	20.02	-	-	-	-	-	-	-	-	-	-	-	-	-	-
763	21.19	774	21.67	-	-	-	-	-	-	-	-	-	-	-	-	-	-	-	-
-	-	-	-	-	-	-	-	-	-	-	-	-	-	-	-	-	-	-	-
-	-	-	-	-	-	-	-	-	-	-	-	-	-	-	-	-	-	-	-

GENERAL VENTILATION DATA

Air Changes Recommended for Various Areas

Ventilated Area	Minutes Per Change	Ventilated Area	Minutes Per Change	Ventilated Area	Minutes Per Change
Assembly	3-10	Garages	5-10	Restaurants	3-10
Bakeries	1-3	Kitchens	1-5	Rest Rooms	5-10
Boiler Rooms	1-3	Laundries	1-3	Sales Rooms	2-10
Cafeterias	3-5	Libraries	2-4	Schools	5-10
Churches	2-4	Locker Rooms	4-15	Shops	5-10
Clubs	5-7	Mills	5-8	Stores	5-10
Dormitories	5-8	Offices	5-12	Theatres	3-8
Engine Rooms	2-5	Packing	3-5	Toilets	2-5
Factories	4-10	Plating Rooms	1-5	Transformer	1-5

To determine the fan capacity required by using the above table, calculate the total cubical contents of the area to be ventilated in cubic feet and divide by the rate of air change.

Result will be cubic feet per minute, corresponding to fan ratings. One or more fans may be used to secure desired cubic feet per minute.

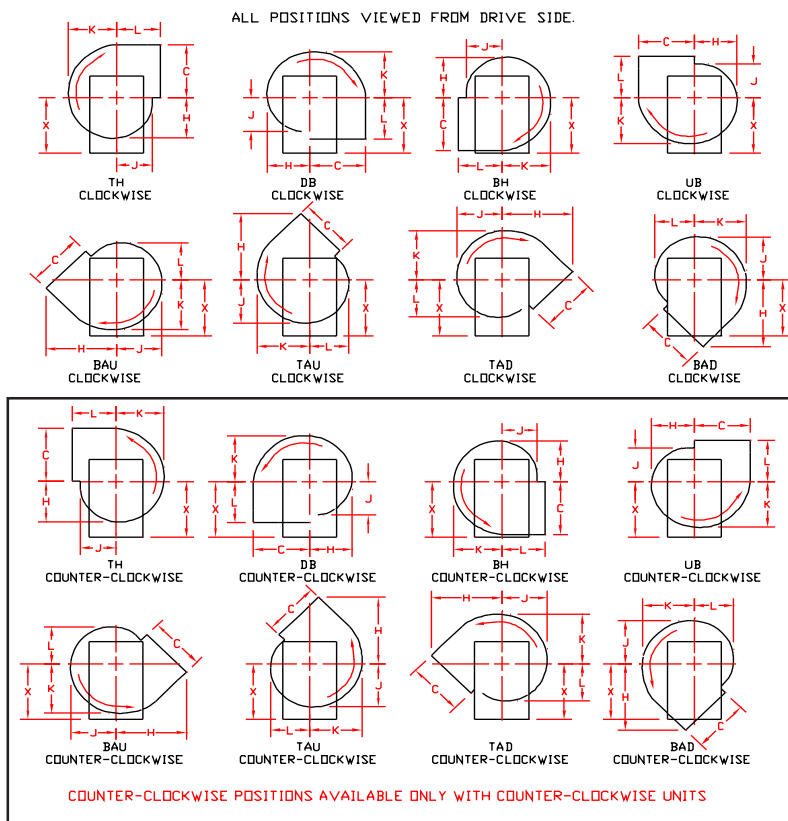
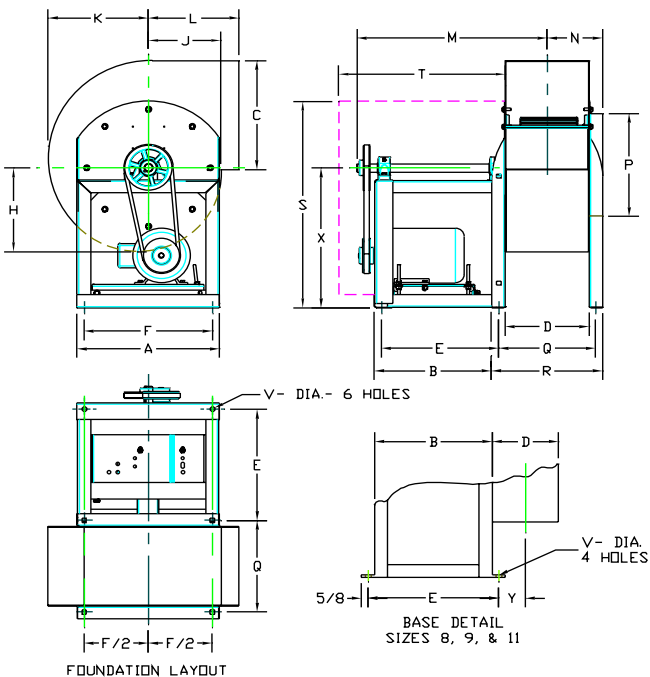
VENTILATION DATA FOR HOODS AND SLOTTED INTAKES

Process	Type of Hood or Slot	Average Intake Velocity
Aluminum Furnace	Enclosed Hood, Open One Side Canopy Hood	150-200 FPM 200-250 FPM
Brass Furnace	Enclosed Hood, Open One Side Canopy Hood	200-250 FPM 250-300 FPM
Chemical Laboratory	Enclosed Hood, Front Opening Down Draft, Table Type	100-150 FPM 150-200 FPM
Degreasing	Canopy Hood Slotted Sides, 2" – 4" Slots	150-200 FPM 1500-2000 FPM
Electric Welding	Portable Hoods, Open Face Open Front Booth	200-250 FPM 100-150 FPM
Foundry Shakeout	Down Draft, Grill Table Open Front Booth	250-450 FPM 150-200 FPM
Flour, Grain, Wood Dust	Canopy Hood Side Slots, 3" – 4"	500 FPM 2000-2500 FPM
Kitchen Ranges	Canopy Hood	125-175 FPM
Metal Spraying	Open Front Booth	150-200 FPM
Paint Spraying	Open Front Booth	100-175 FPM
Paper Drying Machine	Canopy Hood	250-300 FPM
Pickling Tanks	Canopy Hood Slotted Sides	200-250 FPM 250 CFM Per Sq. Ft. of Tank Surface
Plating Tanks	Canopy Hood Slotted Sides	225-250 FPM 250 CFM Per Sq. Ft. of Tank Surface
Rubber Macerator	Canopy Hood Slotted Sides, 2" – 4" Slot	200-250 FPM 2000-2500 FPM
Steam Tanks	Canopy Hood	125-175 FPM
Varnish Tanks	Canopy Hood Slotted Sides, 2" – 4" Slot	225-300 FPM 2000-2500 FPM

To determine blower capacity required, multiply area of slot in square feet by intake velocity to obtain CFM moved. The data above covers average conditions. Total air movement resulting from the above figures is based on average velocity over the entire open face of the hood or grill and in case of exhaust

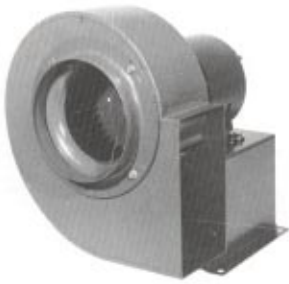
through side slots, on slotted areas covering both sides of the tank or canopy. Static pressure resistance of entire system should be calculated to accurately select proper blower for each installation.

PEERLESS ELECTRIC FORWARD CURVE BELT DRIVE ULTRAFAN-PAK 2002 BLOWERS ARRANGEMENT #10



FAN SIZE	WHEEL DIA.	SHAFT DIA.	A	B	C*	D	E	F	TH, DB, BH, UB STRAIGHT DISCH.				BAU, TAU, TAD, BAD ANGULAR DISCH.				M	N	P	Q	R	S	T	V	X	Y	MAX. MOTOR FRAME SIZE
									H	J	K	L	H	J	K	L											
8	7-3/4	3/4	9-1/8	13	8-1/4	5-3/8	14-1/4	7-1/2	6	4-5/8	6-3/4	6-7/8	10-3/8	6-1/4	7-3/8	5-1/4	20-1/8	3-3/4	8	-	-	18	18-1/2	7/16	12	2-3/16	145T
9	9	3/4	10-3/8	13	10-3/4	6-1/2	14-1/4	8-3/8	6-3/4	5-5/8	7-3/4	7-1/8	11-5/8	7-1/2	8-1/4	6-1/8	20-3/4	4-5/16	9	-	-	18	18-1/2	7/16	12	2-3/4	145T
11	10-1/2	3/4	12-7/8	13	11-3/4	8	14-1/4	10-3/4	7-7/8	6-3/4	9-1/8	8-1/16	13-1/4	8-7/8	9-5/8	7-1/8	21-1/2	5-1/8	10	-	-	20-1/2	18-1/2	7/16	14	3-1/2	145T
12	12-1/4	1	16-3/8	13-1/2	13-1/4	9-5/8	13-1/2	14-3/4	10-1/8	8-1/2	11-1/2	10-1/2	16-5/8	10-3/4	12-1/2	9-1/8	23-7/8	6-3/8	13-1/4	11-1/4	12-3/4	25-1/4	20	1/2	17	-	182T
13	13-1/2	1	17-5/8	13-1/2	14-5/8	10-3/4	13-1/2	16	11-1/8	9-3/8	12-5/8	11-3/8	18-1/4	11-7/8	13-3/4	10	24-3/8	7	14-1/2	12-3/8	13-7/8	25-7/8	20	1/2	17	-	182T
15	15	1	19-1/4	15-1/2	16-1/4	11-3/4	15-1/2	17-5/8	12-3/8	10-3/8	14-1/8	12-3/8	20-1/8	13-1/4	15-1/4	11-1/8	26-7/8	7-1/2	16-1/8	13-3/8	14-7/8	27-5/8	22	1/2	17-7/8	-	182T
16	16-1/4	1	21-3/8	15	17-3/4	13	15-1/2	19-3/4	13-5/8	11-3/8	15-1/2	13-3/8	21-7/8	14-5/8	16-3/4	12-1/4	27-1/2	8-1/2	17-7/8	14-1/2	17	30-1/8	22	1/2	19-1/2	-	184T
18	18-1/4	1-3/16	23-1/8	17	19-5/8	14-1/4	17-1/2	21-1/2	15	12-5/8	17-1/8	14-5/8	24-1/8	16	18-1/2	13-5/8	30-5/8	9-1/8	19-5/8	15-3/4	18-1/4	33-3/8	25	1/2	21-7/8	-	184T
20	20	1-3/16	25	17	21-1/2	15-7/8	17	23-3/8	16-1/2	13-3/4	18-3/4	15-3/4	26-3/8	17-5/8	20-3/8	14-7/8	31-1/2	10	21-1/2	17-7/8	20-1/8	36-1/4	25	1/2	23-3/4	-	213T
22	22-1/4	1-3/16	27-3/8	16-1/2	24	17-3/8	17	25-3/4	18-1/4	15-1/4	20-7/8	17-1/4	29	19-1/2	22-5/8	16-1/2	32-3/4	10-5/8	23-7/8	19-3/8	22-5/8	39-3/4	26	1/2	26-1/8	-	213T
24	24-1/2	1-7/16	30-1/4	16-1/2	26-1/4	19-1/4	16-3/4	23-5/8	20-1/8	16-7/8	23	19-7/8	32-1/2	21-1/2	24-7/8	18-1/4	33-5/8	11-3/4	26-3/8	21-1/4	24-1/2	42-7/8	26	1/2	27-3/4	-	215T

NOTE: Letters "C" and "D" are outside housing dimensions.
 "C" dimension extends beyond center-line, size #8 (5/16), size #9 (1 9/16) & size #11 (1 1/16)



**DIRECT DRIVE
BLOWERS**



**PRESSURE
BLOWERS**



**INDUSTRIAL
FANS**



**DIRECT DRIVE
EXHAUST FANS**



**IN-LINE
CENTRIFUGALS**



**BACKWARD INCLINED
BELT DRIVE BLOWERS**



**CAST IRON
HOUSED BLOWERS**



**BELT DRIVE
PROPELLOR FANS**



POWERFOIL BLOWERS



PLUG-PAK FANS



**FORWARD CURVE
BELT DRIVE BLOWERS**

www.peerlessblowers.com



PEERLESS ELECTRIC

MADISON MANUFACTURING COMPANY

AFFILIATE OF PEERLESS-WINSMITH, INC.



One Madison Avenue, P.O. Box 187, Hot Springs, NC 28743-0187 • 828/622-7500 • Fax: 828/622-3309 • 1-800/613-4766

UPF-1
MM-19107--January 2002--1M
Printed in U.S.A.